

Model No: GBS-135F25AL02-04
 Product Line: Tymphany

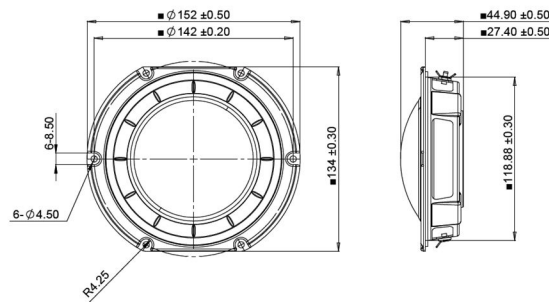
Rev: 1
 Last Update: 2015-10-12 23:45:53

Product Description

This 5.25 inch 4 ohm transducer member of the GBS family provides a very slim woofer capable of large excursion. An anodized Al cone helps to extend the piston bands in the working range. A highly optimized ferrite magnet and unique suspension layout combine to give a cost effective solution in a previously unavailable package.



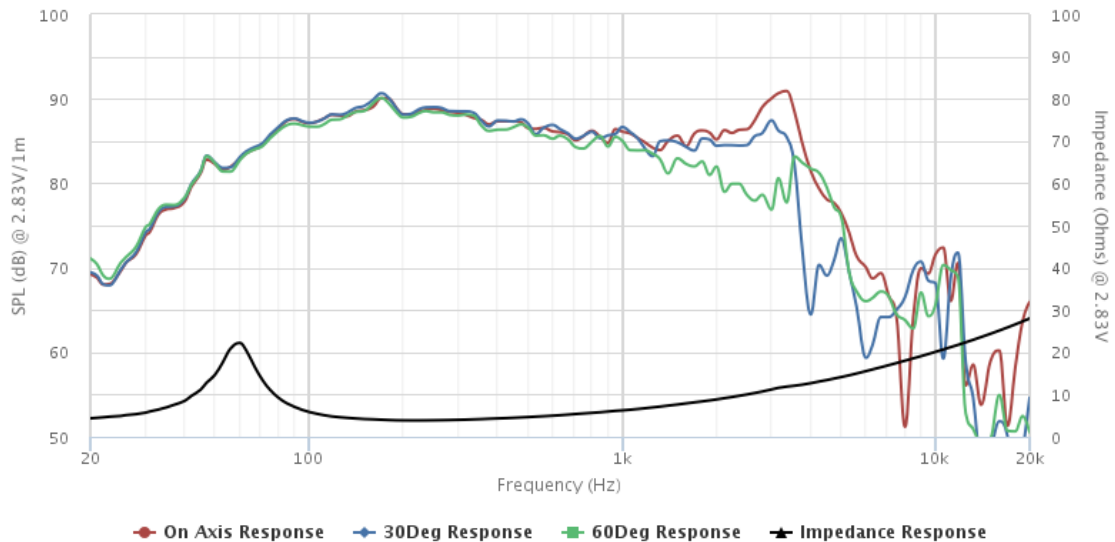
Mechanical Drawing



Specifications

| | | | | | | | |
|-------------------------------|-------------|--------|--------|-----------|----------------------------|------|--------------|
| DC Resistance | Revc | Ohms | 3.28 | 5.0% | Energy Bandwidth Product | EBP | (1/Qes)*fs |
| Minimum Impedance | Zmin | Ohms | 3.88 | 7.5% | Moving Mass | Mms | g |
| Voice Coil Inductance | Le | mH | 0.21 | | Suspension Compliance | Cms | um/N |
| Resonant Frequency | Fs | Hz | 62.97 | 15% | Effective Cone diameter | D | cm |
| Mechanical Q Factor | Qms | | 4.12 | | Effective Piston Area | Sd | cm^2 |
| Electrical Q Factor | Qes | | 0.66 | | Effective Volume | Vas | L |
| Total Q Factor | Qts | | 0.57 | | Motor Force Factor | BL | Tm |
| Ratio Fs/Qts | F | Fs/Qts | 110.47 | | Motor Efficiency Factor | β | (T*M^2)/Ohms |
| Half Space Sensitivity @2.83V | db@2.83V/1M | dB | 88.45 | +/- 1.0db | Voice coil former Material | VCfm | ASV |
| Half Space Sensitivity @1W/1M | db@1W/1M | dB | 85.3 | +/- 1.0db | Voice coil inner diameter | VCd | mm |
| Gap Height | Gh | mm | 6 | | Rated Noise Power | P | W |
| Maximum Linear Excursion | Xmax | mm | 3.3 | | Test Spectrum Bandwidth | | 50Hz-20kHz |
| Ferrofluid Type | FF | | | | Driver Size | Inch | 5.25 in |
| Driver Mass | Kg | | 0.8 | | | | |

Frequency and Impedance Response



Highcharts.com