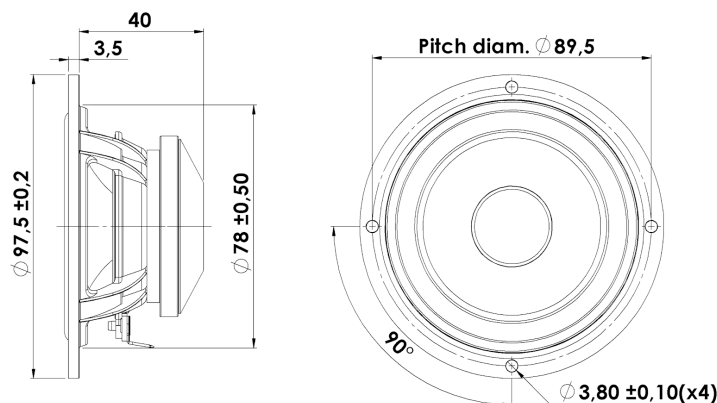


10 cm Fullrange

10F/4424G00



### T-S Parameters:

Resonance frequency [fs]	90 Hz
Mechanical Q factor [Qms]	3.2
Electrical Q factor [Qes]	0.32
Total Q factor [Qts]	0.29
Force factor [Bl]	3.9 Tm
Mechanical resistance [Rms]	0.49 kg/s
Moving mass [Mms]	2.8 g
Compliance [Cms]	1.1 mm/N
Effective diaph. diameter [D]	68 mm
Effective piston area [Sd]	36 cm <sup>2</sup>
Equivalent volume [Vas]	2.0 l
Sensitivity (2,83V/1m)	90 dB

### Mechanical Data:

Voice coil diameter	20 mm
Voice coil height	9.2 mm
Voice coil layers	2
Gap height	4 mm
Linear excursion	± 2.6 mm
Max mech. excursion	± 7 mm
Unit weight	0.3 kg
Cabinet Displacement Volume	0.05 l

### Electrical Data:

Nominal impedance [Zn]	4 Ω
Minimum impedance [Zmin]	3.8 Ω
Maximum impedance [Zo]	34.5 Ω
DC resistance [Re]	3.2 Ω
Voice coil inductance [Le]	0.1 mH

### Power Handling:

100h RMS noise test (IEC 18.4)	15 W
Long-term max power (IEC 18.2)	30 W
X-over:	None

### Key Features:

- Very wide Frequency Range
- High Sensitivity 90dB / 2,83V
- Coated NRSC Fibre Glass Cone (patent)
- SBR Rubber Surround
- Compact Size, Neo magnet, Alu. Chassis
- Copper Cap on Pole Piece

### Recommendations (please see Tech Note):

- Operating frequency range: 130-10000 Hz
- Cabinet volume - closed box: Vbox=0.5 ltr, f(-3dB)=200 Hz
- Cabinet volume - vented box: Vbox=0.9 ltr, fb=115 Hz, f(-3dB)=127 Hz

