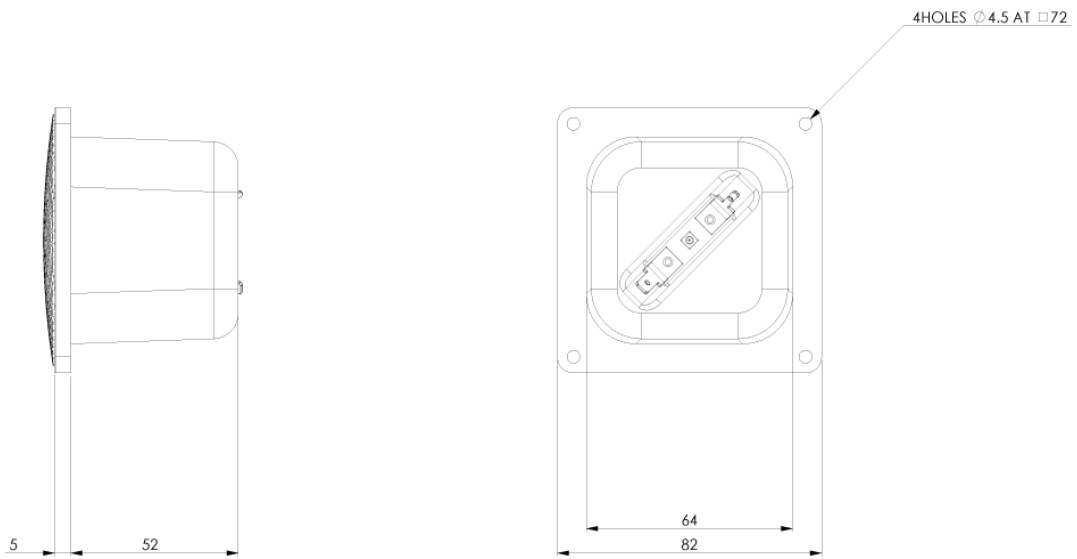


C25-6-012 CERAMIC TWEETER

The **C25-6-012** is a 1 inch tweeter with ultra hard [ceramic dome](#) in a 82 mm frontplate. Anti-resonant cutout fills in the ceramic dome provide for damping of the 37 kHz dome resonance. An overhung motor design with vented aluminium voice coil former guarantees low energy storage and good heat transfer.

The soft fabric surround and ferrofluid with high viscosity center the moving parts with excellent linearity. We recommend our **C25-6-012** in an application above 2500 Hz.



Dome material	Ceramic
Application	Tweeter
Overall diameter	82 x 82 MM
Cutout Diameter/Square	64 x 64 MM
Overall depth	57 MM
Motor assembly depth	--
Motor assembly diameter	--

MAIN FEATURES

special dome cutouts
 overhung motor design
 soft fabric surround
 vented vc & pole piece
 With Ferrofluid
 2500 HZ - 32000 HZ

MECHANICAL DATA

Specification	Value	Unit
Overall diameter	82 x 82	mm
Cutout Diameter/Square	64 x 64	mm
Min. frontplate thickness	5	mm
Overall depth	57	mm
Motor assembly depth	--	mm
Motor assembly diameter	--	mm
Screwfitting	DIN 7984 / Ø 4.50	mm
Terminal	+: 4.8 x 0.8 / -: 2.8 x 0.8	mm
Shipping weight (pair)	1.3	Kg
Shipping box size (pair)	130 / 130 / 190	mm

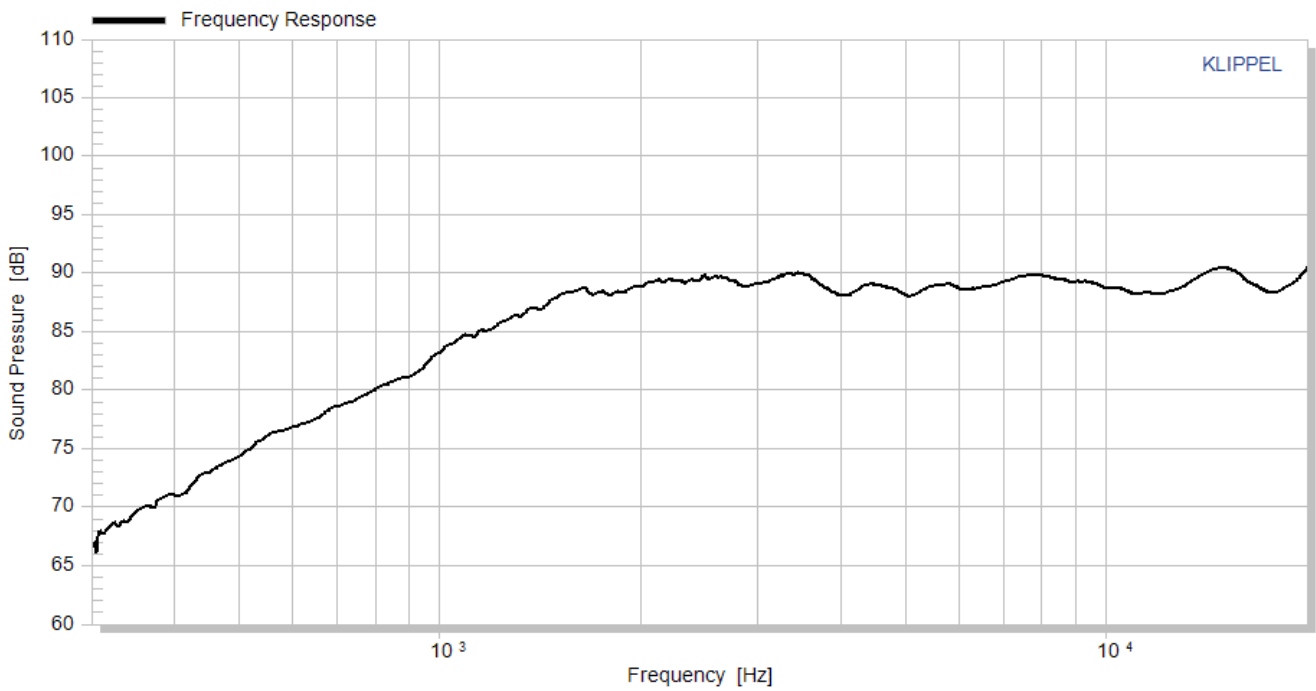
THIELE/SMALL PARAMETERS

Specification		Value	Unit
Sensitivity (2.83V / 1m)	Spl	90	dB
DC-resistance	Re	6.2	Ohm
Resonance frequency	Fs	1037	Hz
Equivalent volume of air	Vas	-	ltr
Mechanical Q	Qms	0.70	
Electrical Q	Qes	1.99	
Total Q	Qts	0.52	
Effective piston area	Sd	5.94	Cm2
Moving mass	Mms	0.23	g
Suspension compliance	CMs	0.141	mm/n
Mechanical resistance	Rms	1.91	Kg*s

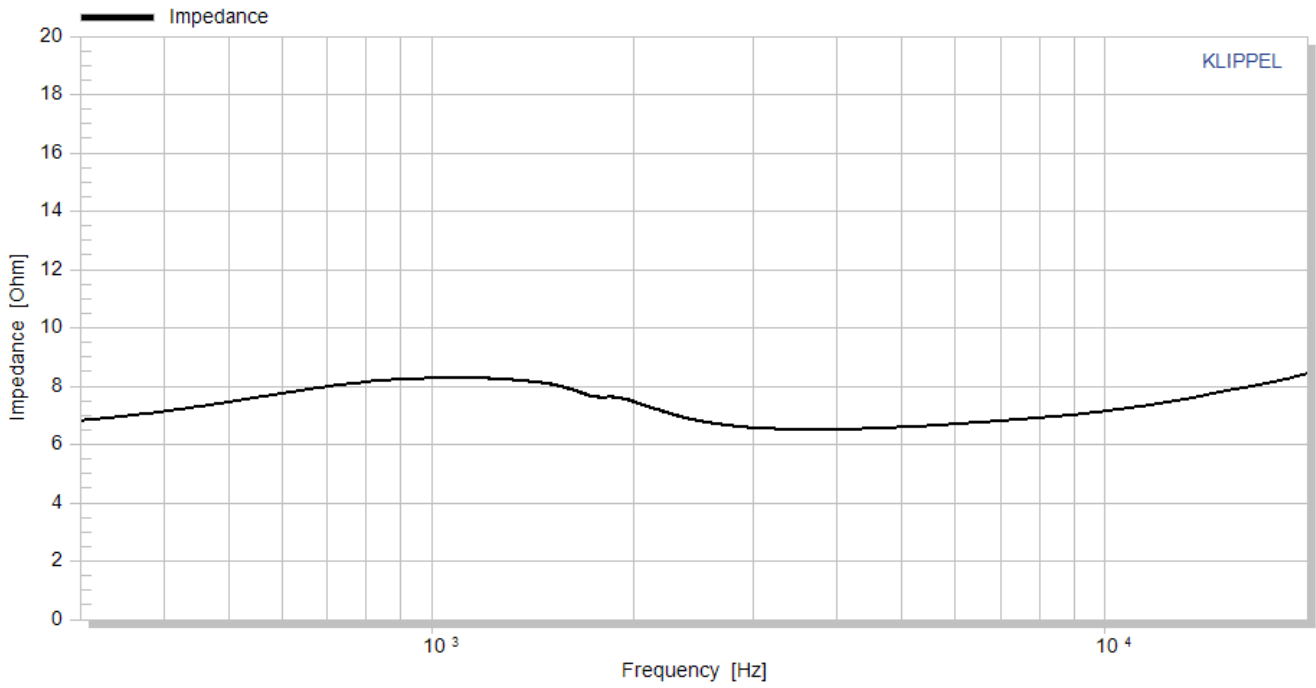
VOICE COIL PARAMETERS

Specification		Value	Unit
Power handling	P	120	W
Linear excursion	Xmax	+/-0.1	mm
Voice coil diameter		19.4	mm
Voice coil former material		Al	
Voice coil material		Cu	
Voice coil inductance	Le	0.02	mH
Force factor	Bl	3.21	N/A
Motor type		Overhung	
Ferrofluid filling		Yes	

FREQUENCY RESPONSE [DB]



IMPEDANCE [OHM]



HARMONIC DISTORTION [%]

