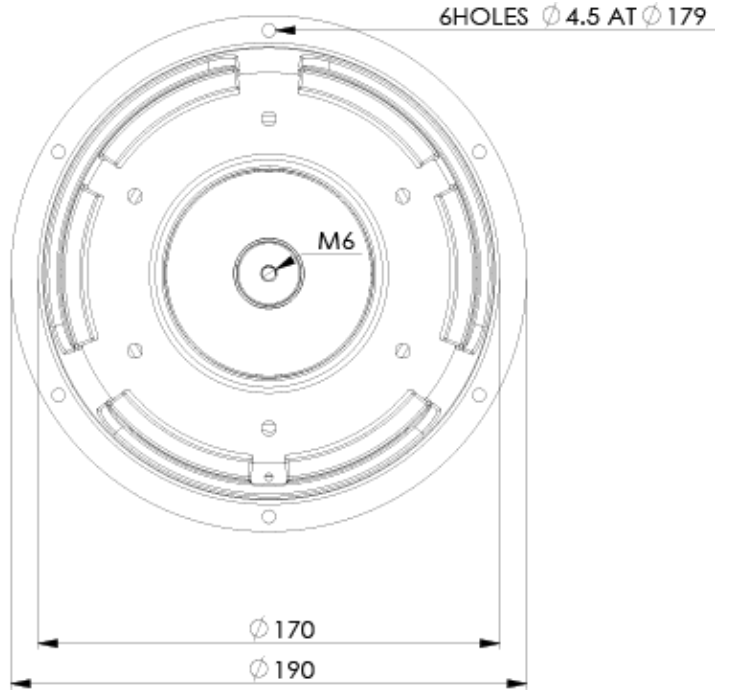
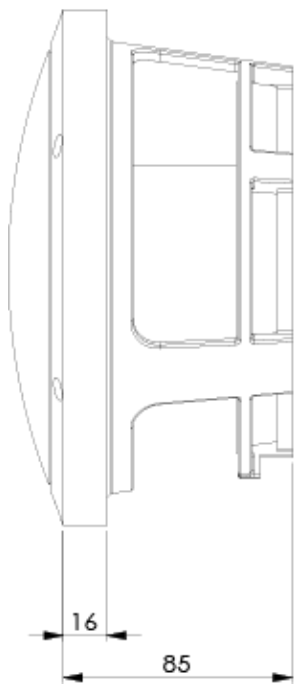




**ASP190 ALUMINIUM-SANDWICH PASSIVE
RADIATOR**



Dome material	Aluminium Sandwich
Application	Passive Radiator
Overall diameter	190 MM
Cutout Diameter/Square	170 MM
Overall depth	85 MM
Motor assembly depth	-- mm
Motor assembly diameter	-- mm

MAIN FEATURES

--

MECHANICAL DATA

Specification	Value	Unit
Overall diameter	190	mm
Cutout Diameter/Square	170	mm
Min. frontplate thickness	16	mm
Overall depth	85	mm
Motor assembly depth	0	mm
Motor assembly diameter	0	mm
Screwfitting	DIN 7984 / 4.50mm	mm
Terminal	0	mm
Shipping weight (pair)	7	Kg
Shipping box size (pair)	245/440/245	mm

THIELE/SMALL PARAMETERS

Specification		Value	Unit
Sensitivity (2.83V / 1m)	Spl	0	dB
DC-resistance	Re	0	Ohm
Resonance frequency	Fs	33	Hz
Equivalent volume of air	Vas	27	ltr
Mechanical Q	Qms	0	
Electrical Q	Qes	0	
Total Q	Qts	0	
Effective piston area	Sd	202	Cm2
Moving mass	Mms	50	g
Suspension compliance	CMs	0.46	mm/n
Mechanical resistance	Rms	2.2	Kg*s

VOICE COIL PARAMETERS

Specification		Value	Unit
Power handling	P	0	W
Linear excursion	Xmax	12	mm
Voice coil diameter		0	mm
Voice coil former material		0	
Voice coil material		0	
Voice coil inductance	Le	0	mH
Force factor	Bl	0	N/A
Motor type		0	
Ferrofluid filling		No	