

G 50 FFL 8 OHM

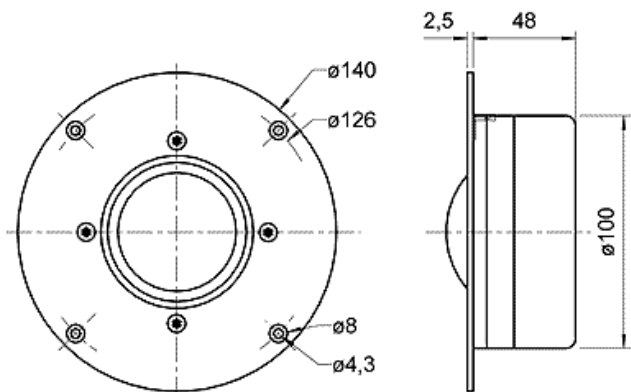
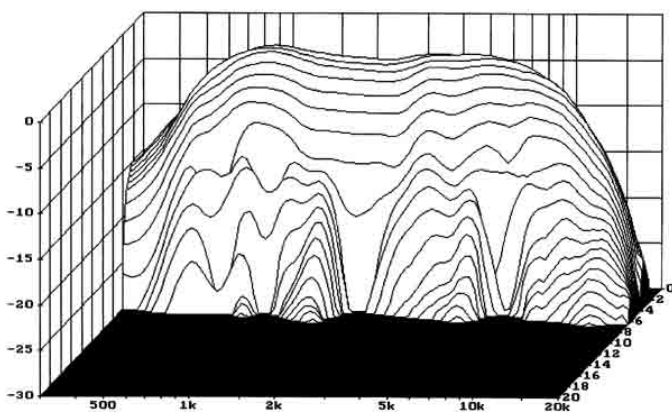
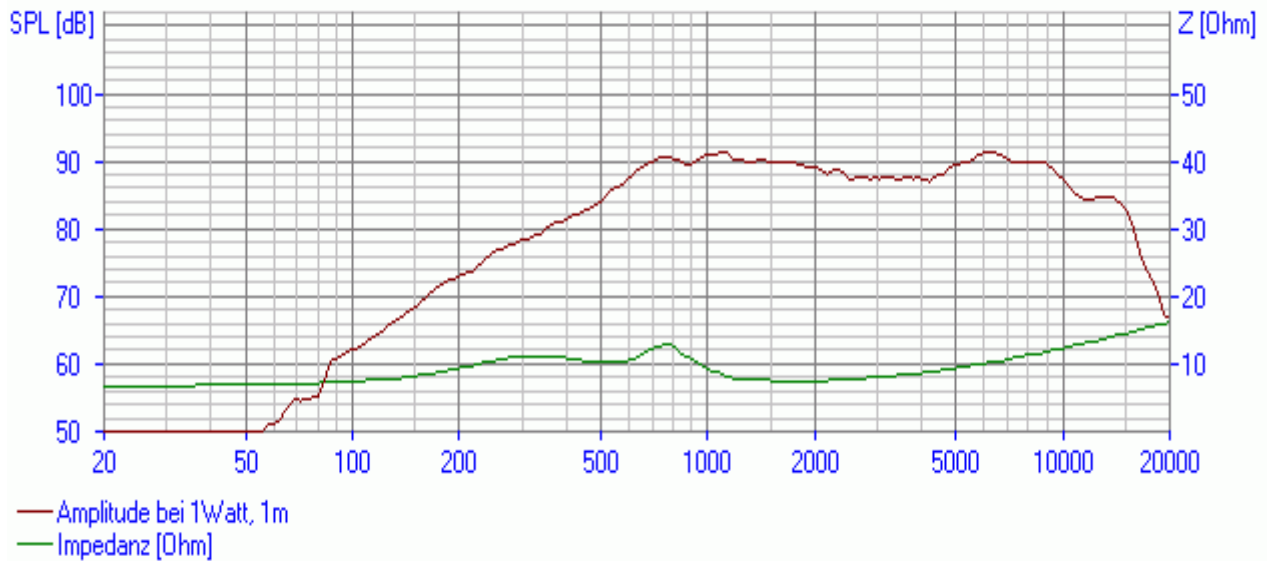
Art. No. 1176

50 mm (2") High-End fabric dome driver for the midrange band between 800 and 7000 Hz. Due to the optimised dome shape with double coating in conjunction with the highly damped surround, linear frequency response and no partial oscillations. Due to the powerful magnetic drive and the ferrofluid-cooled voice-coil high efficiency and high power handling can be guaranteed.



Visaton G 50 FFL - 8 Ohm

Frequenzgang und Impedanz



Technical Data:

Nominal power handling with high pass	120 W (12 dB/Okt.; 800 Hz)
Peak power handling with high pass	180 W (12 dB/Okt.; 800 Hz)
Nominal impedance Z	8 Ohm
Frequency response	400–15000 Hz
Mean sound pressure level	90 dB (1 W/1 m)
Angle of sound emission	180°/4000 Hz
Resonance frequency f_s	430 Hz
Magnetic induction	1,4 T
Magnetic flux	880 μ Wb
Height of front pole-plate	3,5 mm
Voice coil diameter	50 mm
Height of winding	3 mm
Cutout diameter	106 mm
Net weight	1,26 kg
D.C. resistance R_{dc}	6,7 Ohm
Mechanical Q factor Q_{ms}	1,19
Electrical Q factor Q_{es}	0,7
Total Q factor Q_{ts}	0,44
Equivalent volume V_{as}	0,05
Effective piston area S_d	20 cm ²
Dynamically moved mass M_{ms}	1,2 g
Inductance of the voice coil L	0,16 mH