

D 1" Tweeter



Type Number: D27TG35-06

Features:

High performance, coated silk dome tweeter features ferro fluid cooling, linear response faceplate, braided tinsel leads, and a double chamber for lower resonance. High frequency extension to 30 KHz.



Specs:

Electrical Data

Nominal impedance	Zn	6	ohm
Minimum impedance	Zmin	--	ohm
Maximum impedance	Zo	9.7	ohm
DC resistance	Re	4.7	ohm
Voice coil inductance	Le	25	mH

T-S Parameters

Resonance Frequency	fs	880	Hz
Mechanical Q factor	Qms	0.79	
Electrical Q factor	Qes	0.86	
Total Q factor	Qts	0.41	
Force factor	Bl	--	Tm
Mechanical resistance	Rms	--	Kg/s
Moving mass	Mms	--	g
Suspension compliance	Cms	--	mm/N
Effective cone diameter	D	3	cm
Effective piston area	Sd	7	cm ²
Equivalent volume	Vas	--	ltrs
Sensitivity (2.83V/1m)		92.6	dB

Power handling

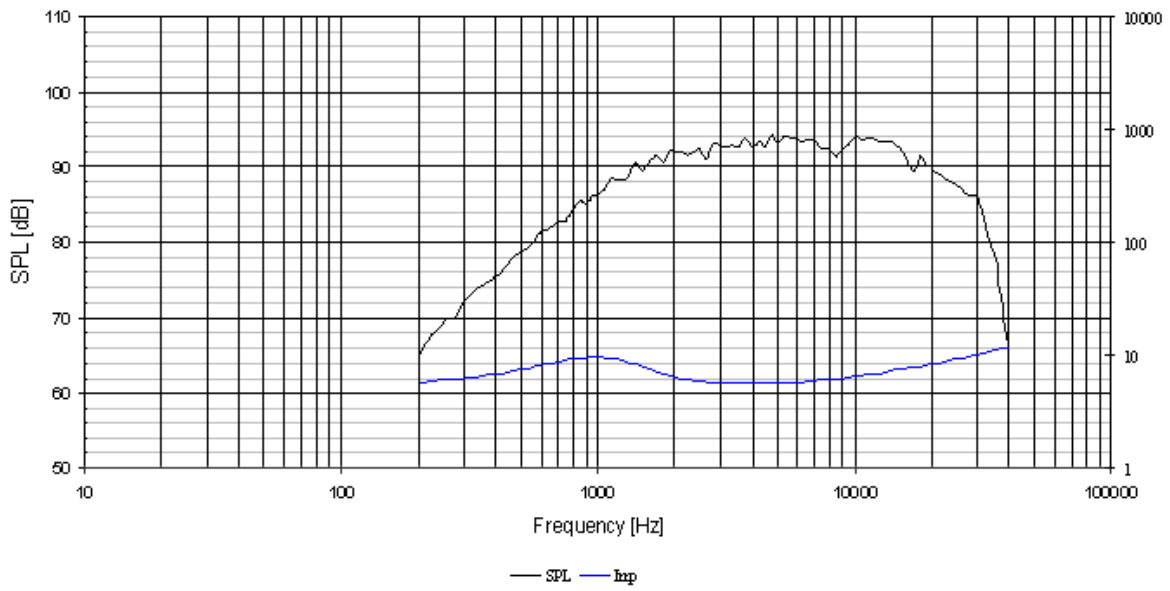
Long-term Max Power (IEC 18.3)	140	W
Short Term Max power (IEC 18.2)	100	W

Voice Coil and Magnet Parameters

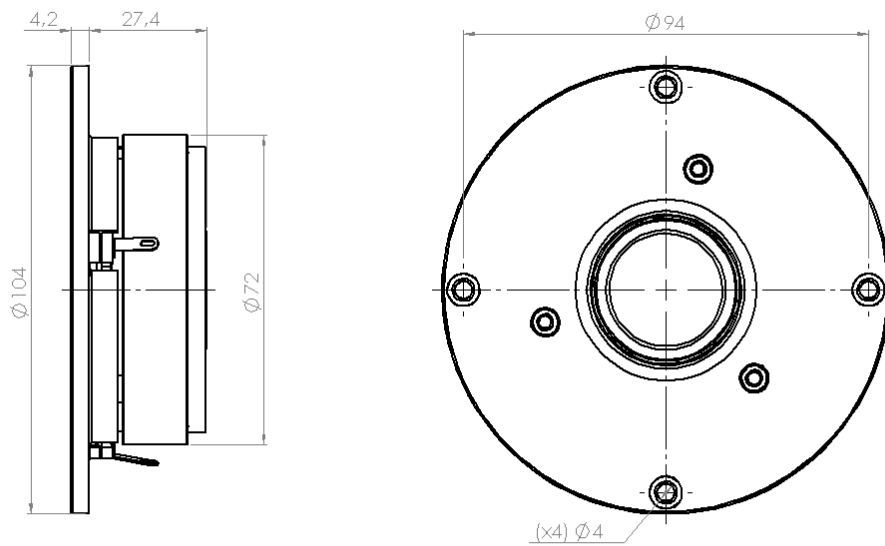
Voice coil diameter	26	mm
Voice coil height	1.6	mm
Voice coil layers	2	
Height of the gap	2	mm
Flux density of gap	--	mWb
Total useful flux	--	mWb
Diameter of magnet	72	mm
Height of magnet	15	mm
Weight of magnet	--	Kg

Notes:
IEC specs refer to IEC 60268-5 third edition.
All Tymphany products are RoHS compliant.

Frequency: D27TG35-06



Mechanical Dimensions: D27TG35-06



D27TG-35-06