

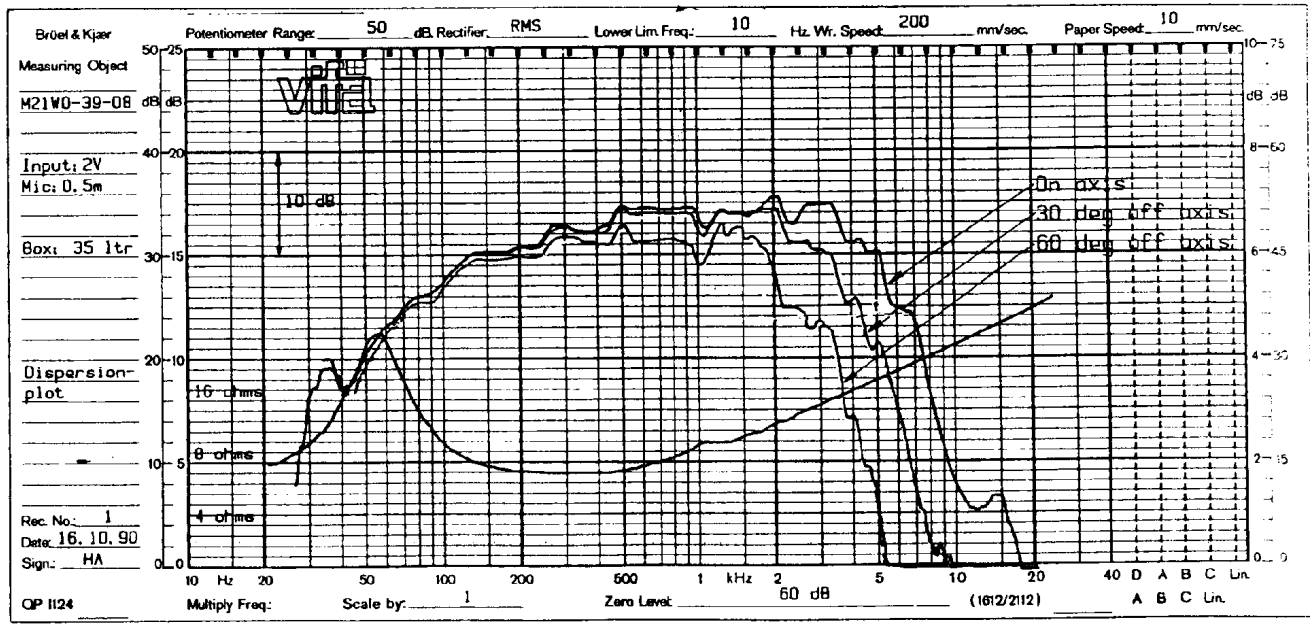
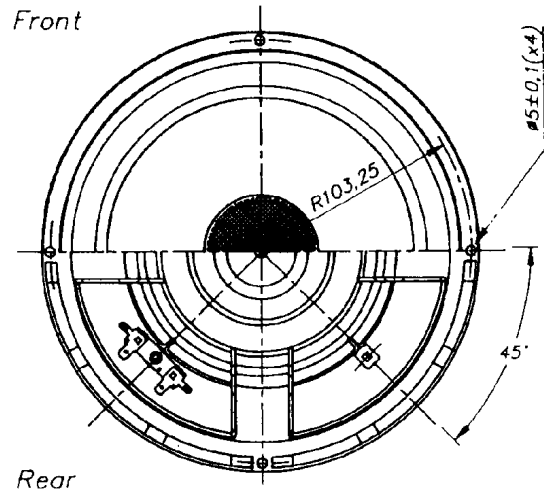
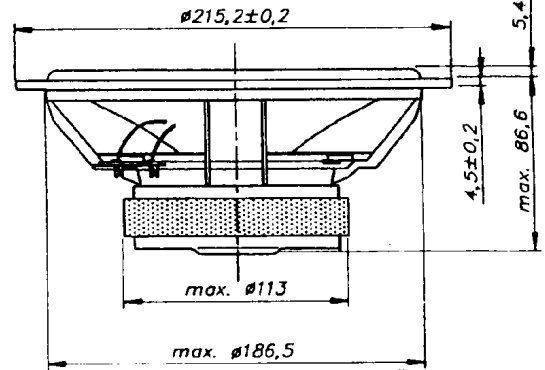
8" WOOFER

M21W0-39-08

SPECIAL FEATURES:

- MAGNESIUM BASKET
- COATED PAPER CONE
- RUBBER SURROUND
- LONG THROW / LOW DISTORTION MOTOR
- VERY SMOOTH FREQUENCY RESPONSE
- IDEAL FOR BASS REFLEX

NOMINAL IMPEDANCE	8 Ω
NOMINAL POWER (IEC 268-5)	80 W
MUSIC POWER (DIN 45500)	120 W
FREQUENCY RANGE	25-3000 Hz
SENSITIVITY (1W, 1m)	90 dB
EFFECTIVE CONE AREA	235 cm ²
VOICE COIL RESISTANCE	5,5 Ω
VOICE COIL INDUCTANCE	1 mH
OPERATING POWER	4 W
VOICE COIL DIAMETER	40 mm
VOICE COIL HEIGHT	18 mm
AIR GAP HEIGHT	6 mm
FREE AIR RESONANCE	28 Hz
MOVING MASS (incl. air)	23 g
FORCE FACTOR, B x l	8,2 Txm
MAGNET WEIGHT (24,6 oz)	698 g
Qms	1,97
Qes	0,35
Qts	0,30
Vas	105 ltr



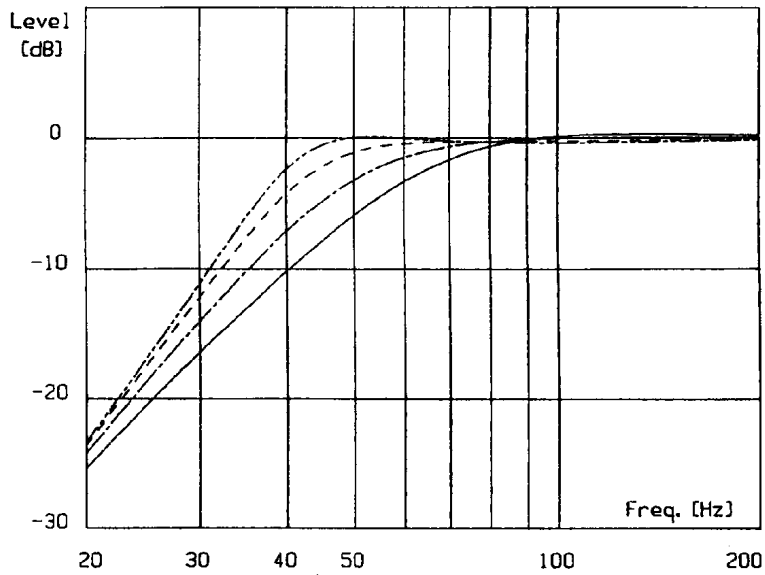
M21W0-39-08

Applications

BASS REFLEX SYNTHESIS

	Vb [ltrs]	Fb [Hz]	Op [cm]	Lp [cm]
1	20	40	5.0	10.2
2	30	40	7.5	15.2
3	45	40	7.5	8.8
4	60	40	10.0	11.7

Vb: Box Volume
 Fb: Tuning Frequency
 Op: Port Diameter
 Lp: Port Length



The M21W0-39-08 is intended for bass reflex enclosures of 20-60 ltrs. A response having a moderate peak is obtainable in the same volume by choosing a higher tuning frequency Fb while a lower Fb gives a damped response.

