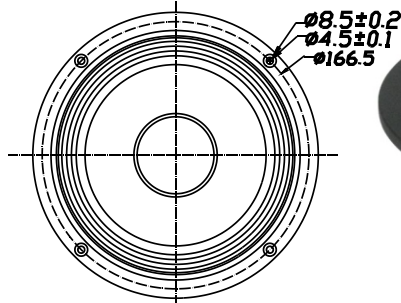
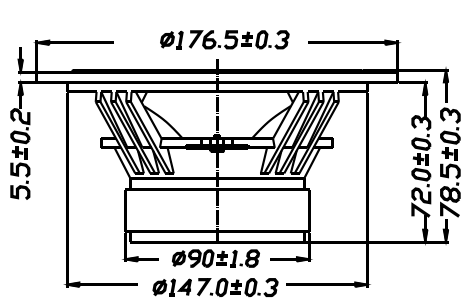


# PA SERIES

# W6-1974



- HIGH LINEARITY AND BALANCED EXCURSION DESIGN
- DIE CAST BASKET
- ALUM / MG CONE WITH PATENTED RUBBER SURROUND
- CONEX SPIDER
- CCAW VOICE COIL WIRE
- INTENDED FOR MID-RANGE
- VENTED POLE PIECE

## 6.5" AL/MG WOOFER

DIAPHRAGM MTL	Alum / MG
SURROUND MTL	W shape rubber
NOMINAL IMPEDANCE	8
DCR IMPEDANCE	6
SENSITIVITY 1W/1m	90 dB
FREQUENCY RESPONSE	35 - 8K Hz
FREE AIR RESONANCE	50 Hz
VOICE COIL DIAMETER	25 mm
AIR GAP HEIGHT	6 mm
RATED POWER INPUT	50 W
MAXIMUM POWER INPUT	100 W
FORCE FACTOR, BL	6.5 TM
MAGNET WEIGHT ( 15 oz)	436 g
MOVING MASS	12 g
FERROFLUID ENHANCED	No
SUSPENSION COMPLIANCE	1693 MN <sup>-1</sup>
EFFECTIVE PISTON AREA	0.014 M <sup>2</sup>
Levc	0.5191 mH
Zo	111.8603 ohm
X-max	3.5 mm
Vas	22,38 Litr
Qts	0.48
Qms	5.75
Qes	0.52

