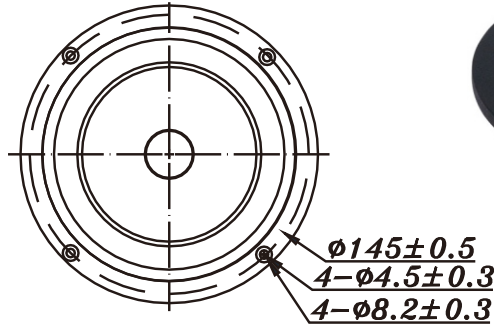
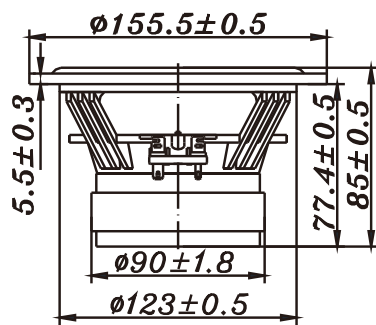


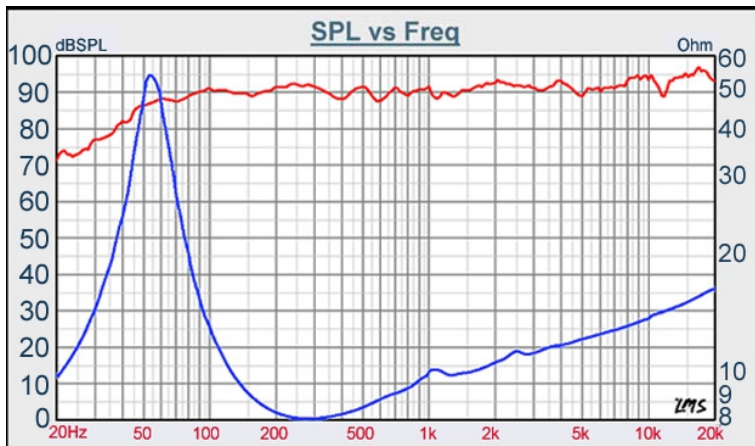
F SERIES

W5-2143



- FULL RANGE DESIGN
- UNDERHUNG MOTOR DESIGN WITH FERRITE MAGNET, $X_{max} = 2.5\text{mm}$
- VERY LOW THD (2nd AND 3rd HARMONIC DISTORTION)
- UNIQUE PHASE PLUG FOR BETTER DISPERSION
- BAMBOO FIBER PAPER CONE WITH DURABLE STRUCTURED SANTOPRENE SURROUND

5" PAPER FULL RANGE



DIAPHRAGM MTL	Paper
SURROUND MTL	Structured Santoprene
NOMINAL IMPEDANCE	8 Ω
DCR IMPEDANCE	6.3 Ω
SENSITIVITY 1W/1m	90 dB
FREQUENCY RESPONSE	55 - 20K Hz
FREE AIR RESONANCE	55 Hz
VOICE COIL DIAMETER	25.4 mm
AIR GAP HEIGHT	10 mm
RATED POWER INPUT	30 W
MAXIMUM POWER INPUT	60 W
FORCE FACTOR, BL	5.43 TM
TYPE OF INPUT	Ferrite
MOVING MASS	5.99 g
FERROFLUID ENHANCED	No
SUSPENSION COMPLIANCE	1514 μMN^{-1}
EFFECTIVE PISTON AREA	0.0094 M^2
Levc	0.023 mH
Zo	55 Ω
X-max	2.5 mm
Vas	19.0 Litr
Qts	0.38
Qms	3.21
Qes	0.43



VOICE: 886.2.26570282 FAX: 886.2.26580166
E-MAIL: info@tb-speaker.com