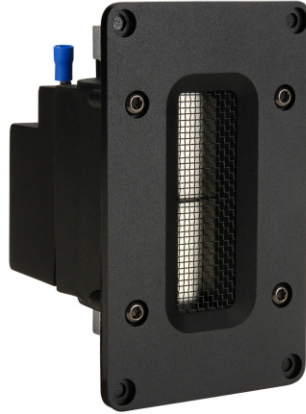
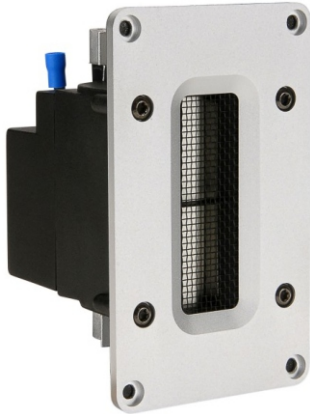


NeoX2.0 Ribbon tweeter

Fountek's 3rd generation ribbon driver technology

- higher power handling
- 12mm width enforce sandwich ribbon diaphragm

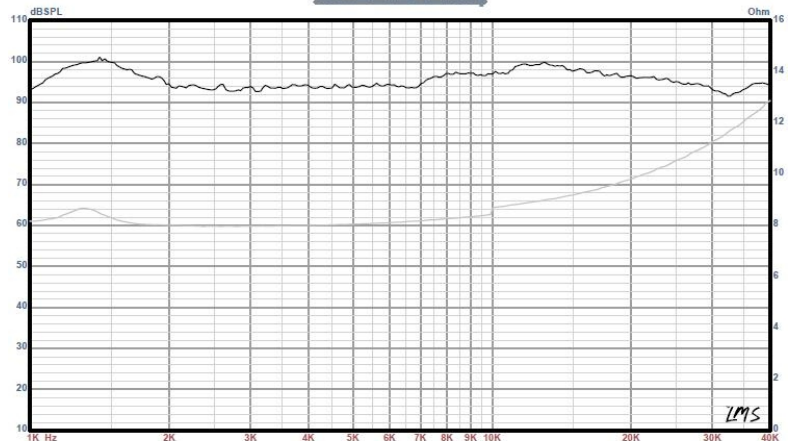
- low distortion, very fast transition
- strong neodymium magnet
- built-in impedance convertor



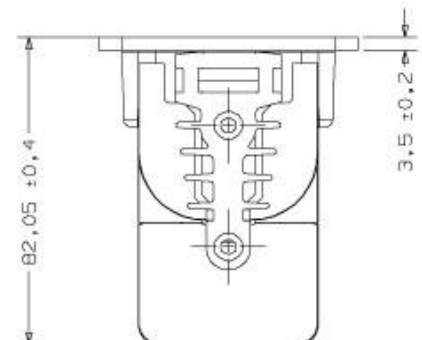
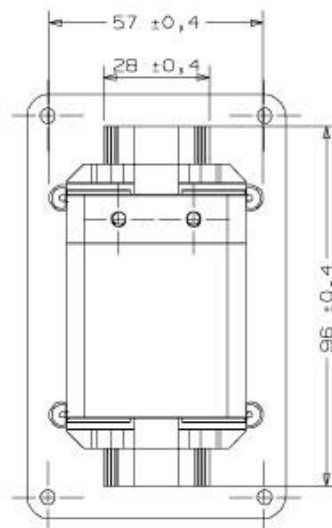
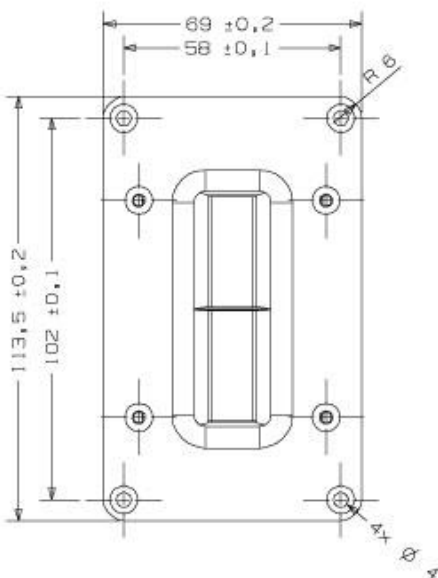
Parameter

Sensitivity: 94dB/1M/2.83v
 Power handling: 25W nominal, 43W max
 Frequency range: 1,200-40,000Hz
 Nominal impedance: 8 ohm
 DCR: 0.02 ohm
 Ribbon dimension: 12x60x0.015mm
 Effective ribbon area: 720 square millimeter
 Ribbon weight: 27 milligram
 Gap flux: 0.4 Telsa average
 Gap height: 13 millimeter
 Recommend x-over: 2,300Hz with 2-order
 Net.weight: 750 gram

SPL vs Freq



on-axis frequency response



Mechanical drawing