

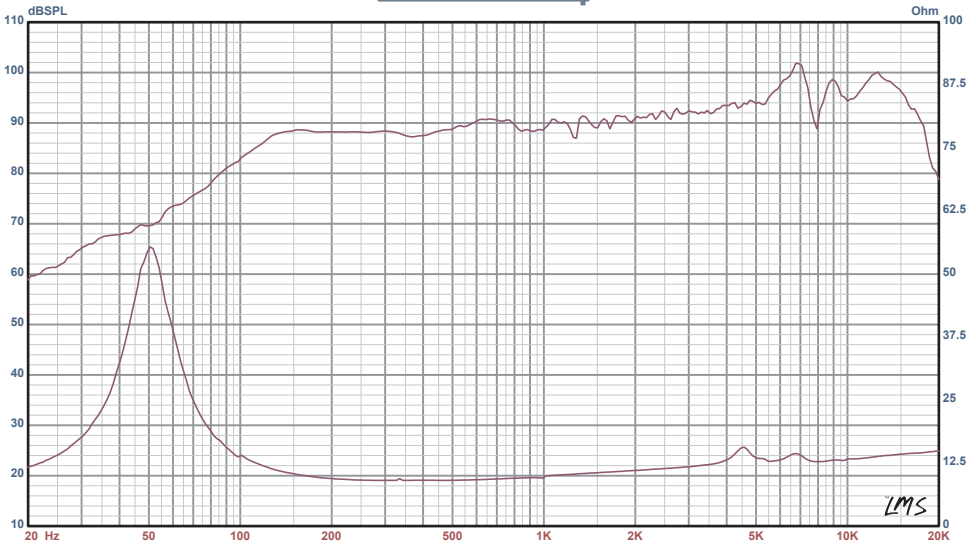


FM135D-II midrange

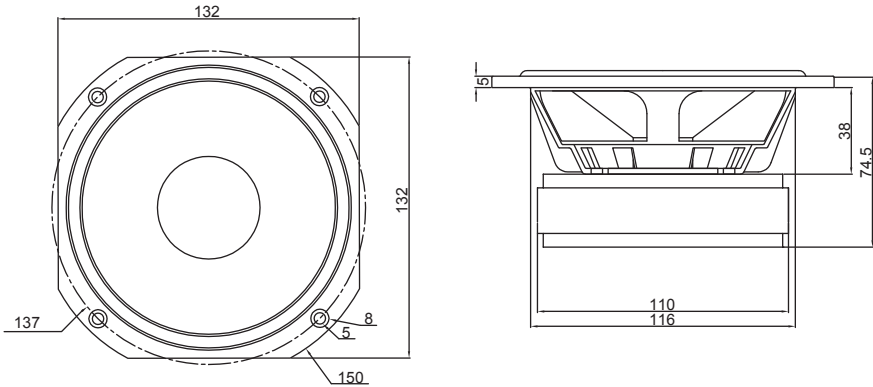
FEATURE

- 5.25" midrange driver
- aluminium cone
- die cast frame
- low distortion, fast transition

SPL vs Freq



frequency response vs impedance



Mechanical drawing

Specifications		Magnet System	
Overall Dimensions	132mm*74.5mm	Magnet system type	ferrite
Net. Weight	1850g	Magnetic Gap Height	6mm
Nominal Power Handling	30W rms	B Flux Density	1.0T
Nominal Impedance	8ohm	Bl Product	7.955M
Sensitivity 1W/1M	89dB/W/M	Max Linear Excursion	1.45mm±
Frequency Response	73-5.5K Hz	T/S Parameter	
Resonant frequency	73.035Hz	Cms	0.656mm/N
Voice Coil		Sd	83.320cm ²
Voice Coil Diameter	35.5mm	Vas	6.476L
Voice Coil Height	10mm	Mmd	6.791
Voice Coil Former	kapton	Mms	7.229
Voice Coil Wire	CCAW	Qms	1.842
Number of Layers	2	Qes	0.33
DC Resistance	6.3ohm	Qts	0.28