

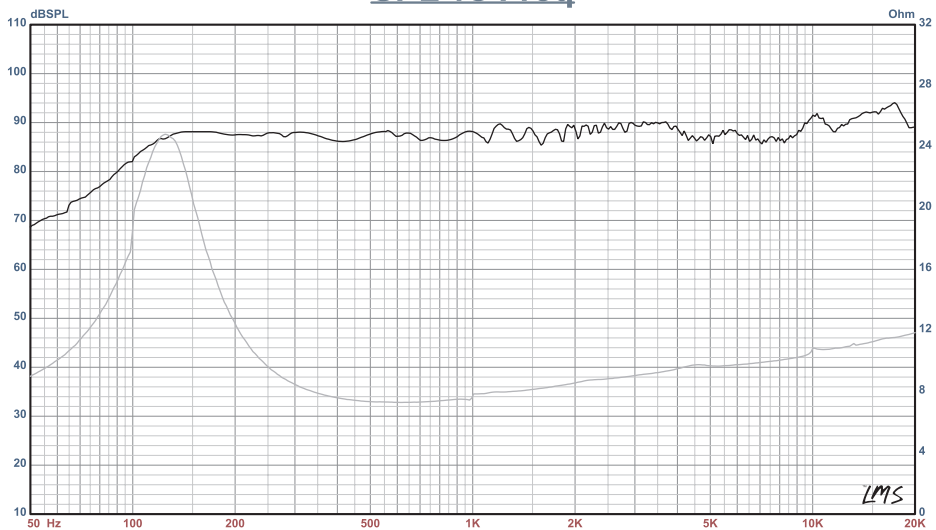


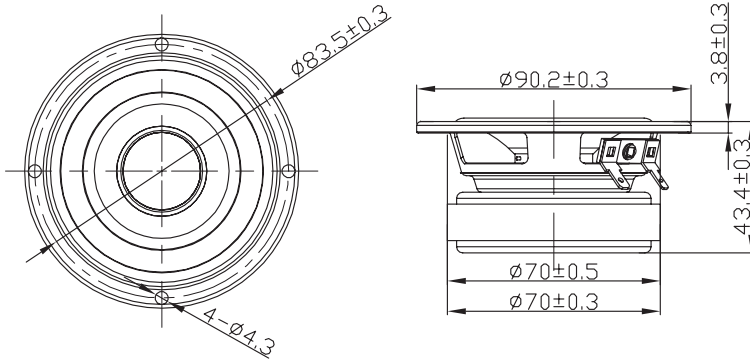
FE85 fullrange driver

FEATURE

- aluminum cone
- 20mm voice coil
- smooth frequency response
- low distortion, fast transient
- designed for multimedia system

SPL vs Freq





mechanical drawing

Specifications		Magnet System	
Overall Dimensions	D90X43.4mm	Magnet system type	ferrite
Net. Weight	0.47 kgs	Magnetic Gap Height	3mm
Nominal Power Handlng	12 W rms	B Flux Density	1.0T
Nominal Impedance	8 Ohms	Bl Product	3.7Tm
Sensitivity 1W/1M	85.7dB	Max Linear Excursion	1.5mm +/-
Frequency Response	100-25,000Hz	T/S Parameter	
Resonant frequency	125Hz	Cms	0.82mm/N
Voice Coil		Sd	27cm ²
Voice Coil Diameter	20mm	Vas	0.85L
Voice Coil Height	7mm	Mmd	1.991gm
Voice Coil Former	Black aluminum	Mms	2.073gm
Voice Coil Wire	copper round	Qms	2.13
Number of Layers	2	Qes	0.67
DC Resistance	6.0 Ohms	Qts	0.52