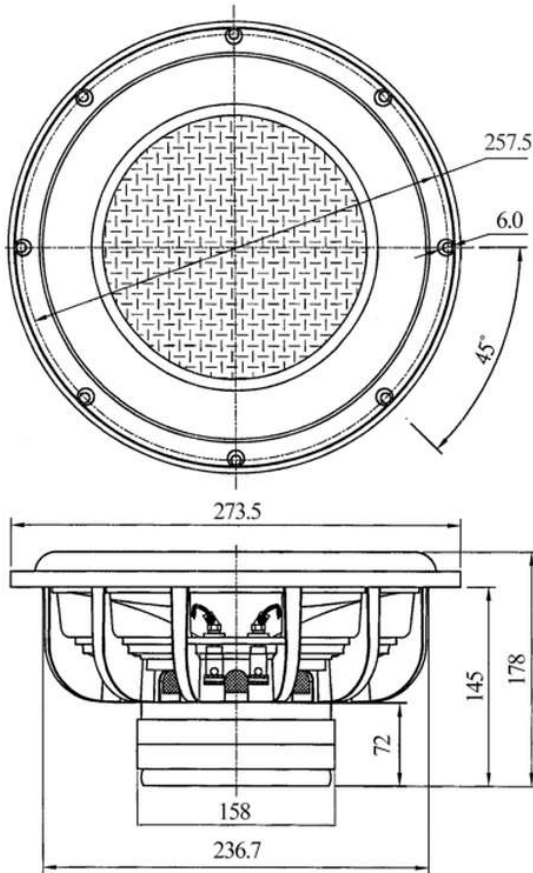




UM10-22 10" Ultimax DVC Subwoofer 2 ohm Per Coil

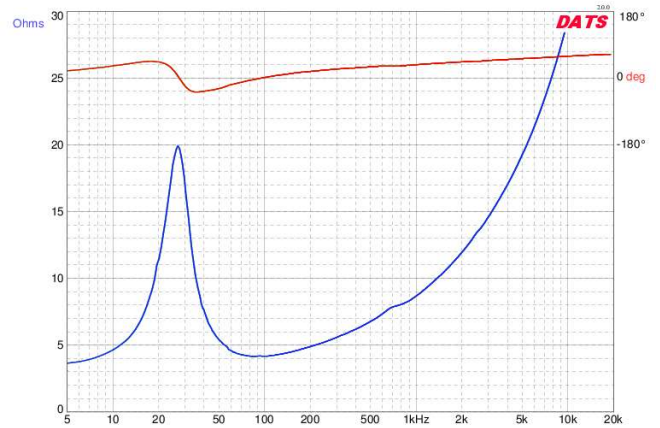
UM10-22



PARAMETERS

| | |
|-----------------------------|-----------------------|
| Impedance | 2+2 ohms |
| Re | 3.2 ohms |
| Le | 1.28 mH @ 1 kHz |
| Fs | 26.9 Hz |
| Qms | 3.08 |
| Qes | 0.59 |
| Qts | 0.49 |
| Mms | 227g |
| Cms | 0.15 mm/N |
| Sd | 327.8 cm ² |
| Vd | 622.8 cm ³ |
| BL | 14.5 Tm |
| Vas | 23.5 liters |
| Xmax | 19 mm |
| VC Diameter | 63.5 mm |
| SPL | 84.8 dB @ 2.83V/1m |
| RMS Power Handling | 500 watts |
| Usable Frequency Range (Hz) | 25 - 1,500 Hz |

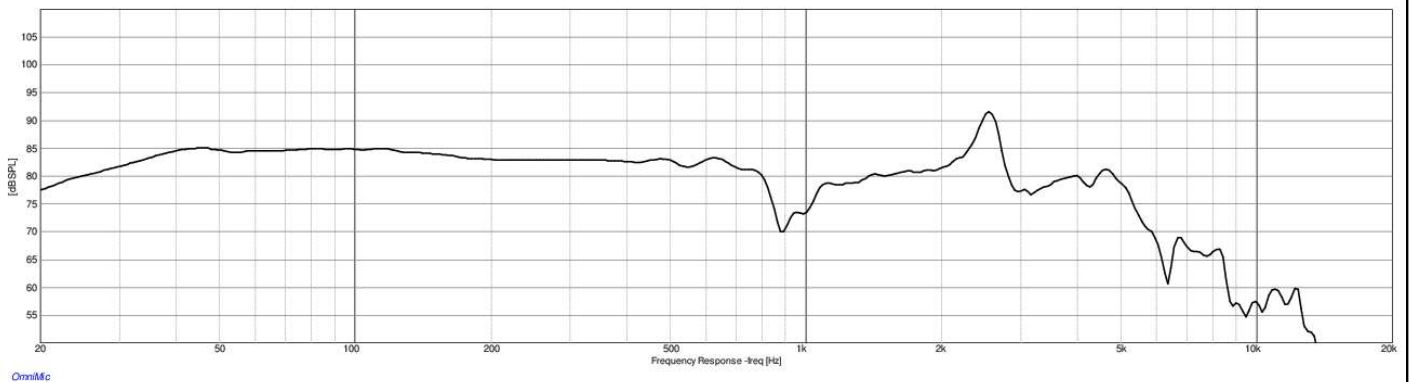
IMPEDANCE/PHASE



FEATURES

- Dual 2 ohm, 2-layer copper voice coils
- Large vented pole piece and under-spider venting
- 500 watts RMS power handling
- Black anodized aluminum former and black pole improves heat dissipation
- Thick, one-piece Nomex honeycomb covered cone with woven heavy-duty glass-fiber

FREQUENCY RESPONSE



Note: 1/24th octave smoothing - nearfield response included in graph below 450 Hz.

Black = 0°