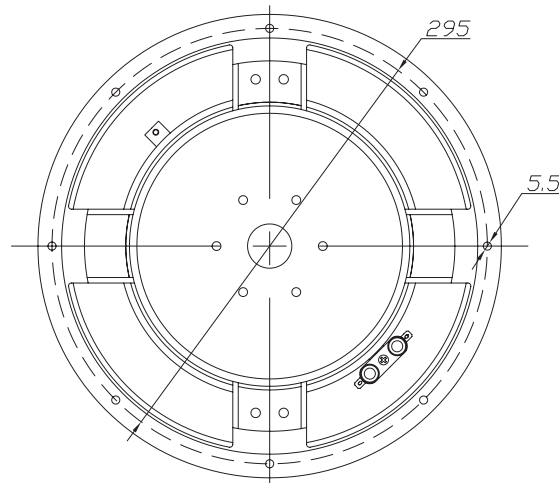
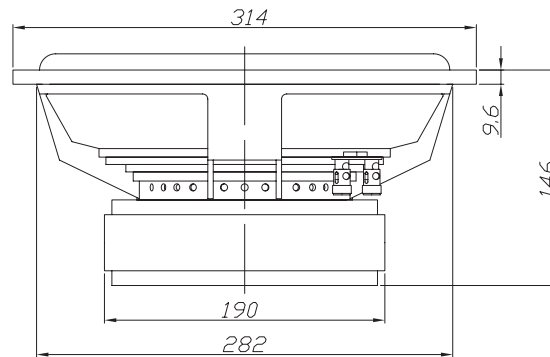


Features

- Black anodized aluminum cone
- 2-1/2" 2-layer voice coil
- Triple-shorting-ring motor
- Fully vented construction
- Rigid cast frame
- Rubber surround
- High power handling

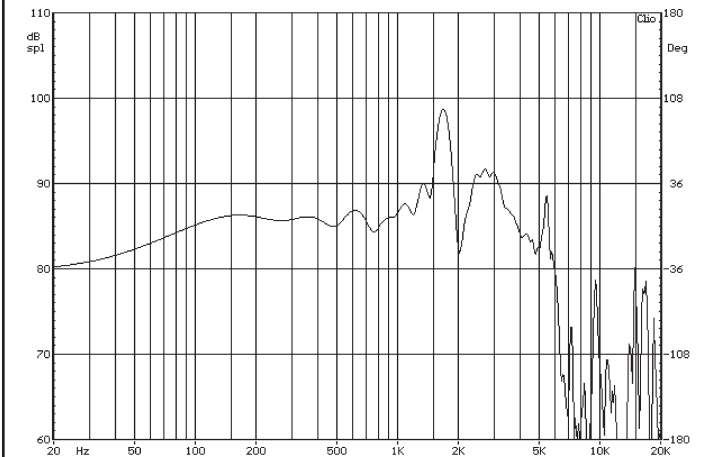
Parameters

Impedance (Ω)	4
Re (Ω)	3.3
Le (mH) @ 1 kHz	1.04
Fs (Hz)	25.0
Qms	3.12
Qes	0.58
Qts	0.49
Mms (g)	212.1
Cms (mm/N)	0.27
Sd (cm ²)	514.7
Vd (liters)	736.0
BL (Tm)	13.95
VAS (liters)	85.1
XMAX (mm)	14.3
VC Diameter (mm)	64
SPL (dB@1W/1m)	86.0
RMS Power Handling (w)	400
Usable Frequency Range (Hz)	23 - 1000



Note: All dimensions in mm.

Frequency Response



Note: Due to testing limitations, response below 200 Hz is not an actual representation.

Impedance/Phase

