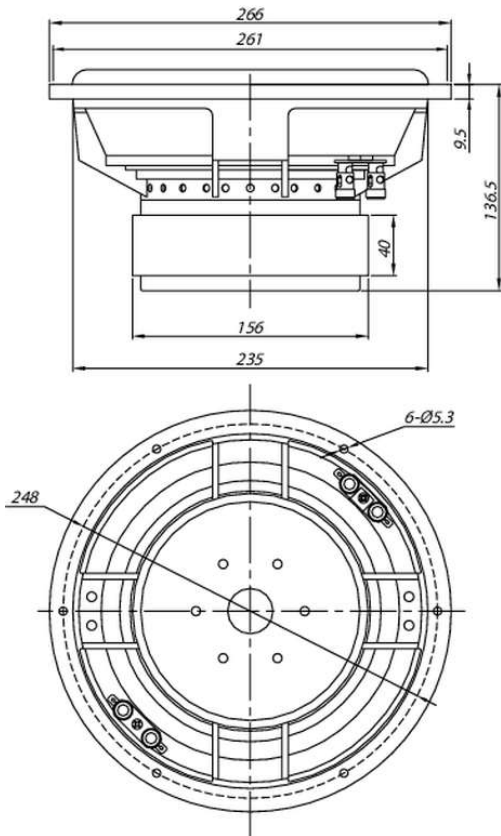




RSS265HO-44 10" Reference HO DVC Subwoofer 2 Ohm

RSS265HO-44



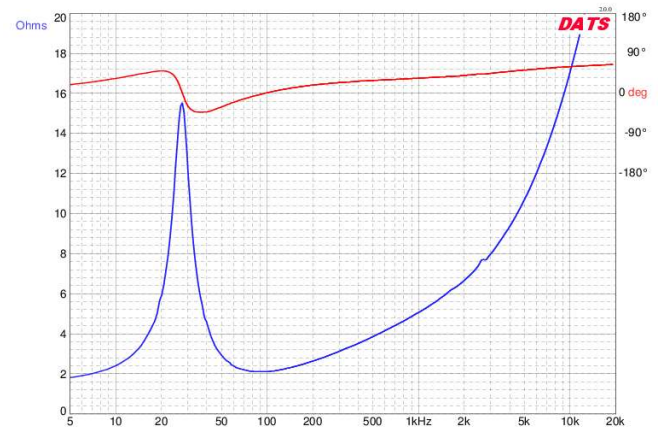
PARAMETERS

Impedance	2 ohms
Re	1.6 ohms
Le	0.77 mH @ 1 kHz
Fs	27.6 Hz
Qms	4.42
Qes	0.50
Qts	0.45
Mms	161g
Cms	0.21 mm/N
Sd	352.3 cm ²
Vd	467.0 cm ³
BL	9.39 Tm
Vas	34.8 liters
Xmax	13.25 mm
VC Diameter	65.5 mm
SPL	90.5 dB @ 2.83V/1m
RMS Power Handling	600 watts
Usable Frequency Range (Hz)	25 - 600 Hz

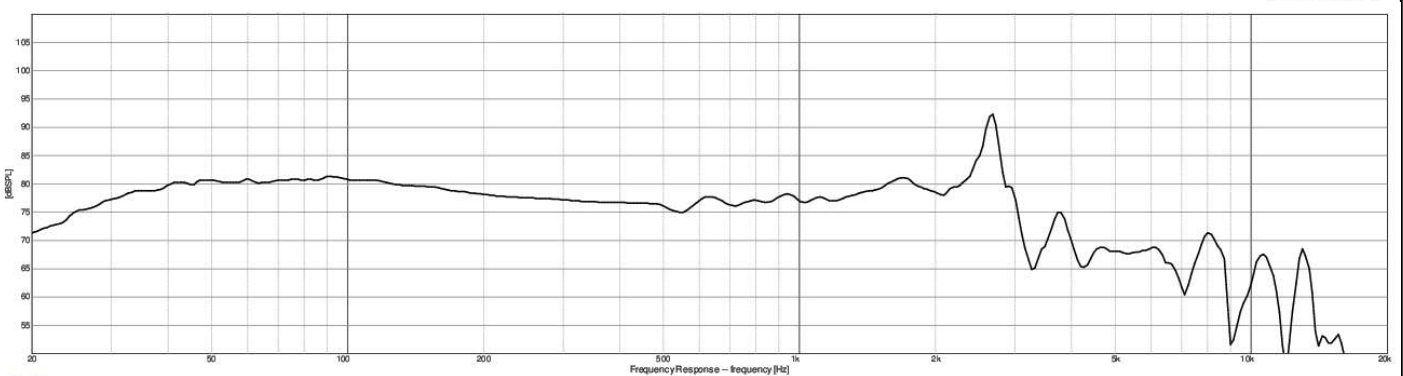
FEATURES

- Dual 4 ohm voice coils for many wiring options
- Extensively vented motor eliminates compression and allows quiet excursion
- Extra-thick black anodized aluminum cone for maximum rigidity
- Triple shorting-ring motor for ultra-low distortion
- Parameters optimized for small enclosures

IMPEDANCE/PHASE



FREQUENCY RESPONSE



Note: 1/24th octave smoothing - nearfield response included in graph below 450 Hz.

Black = 0°