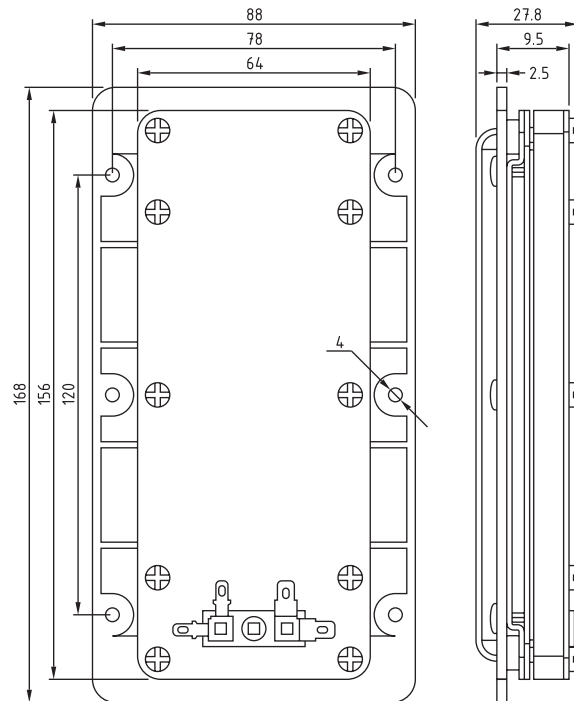
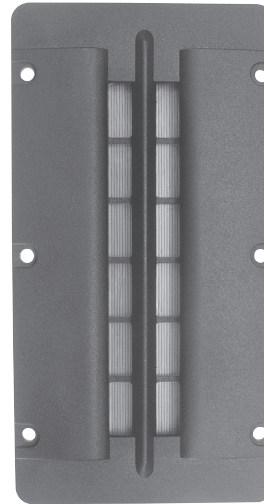


**Features**

- Aluminum ribbon element
- 120mm x 27mm radiating area
- Kapton film membrane
- Flared waveguide
- High efficiency
- Unsurpassed clarity and imaging
- Exceptional transient response
- Perfect for building line arrays

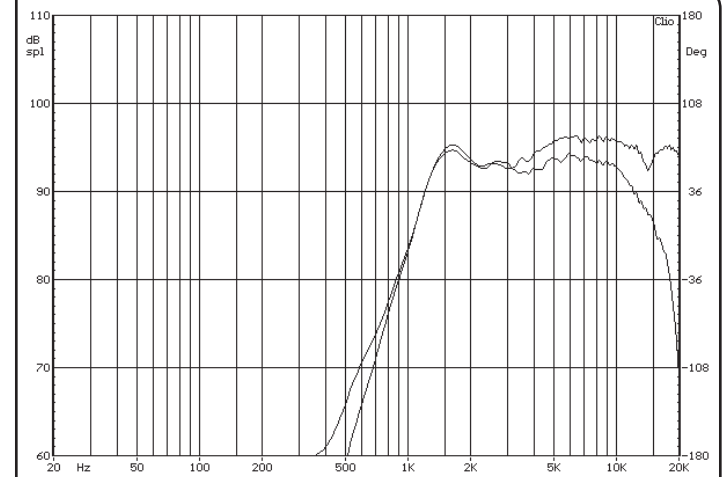
**Parameters**

Impedance ( $\Omega$ )	8
Re ( $\Omega$ )	6.9
Le (mH) @ 10 kHz	0.03
Fs (Hz)	1654.0
Qms	2.48
Qes	41.17
Qts	2.34
Mms (g)	
Cms (mm/N)	
Sd (cm <sup>2</sup> )	32.4
Vd (liters)	
BL (Tm)	
VAS (liters)	
XMAX (mm)	
VC Diameter (mm)	
SPL (dB@1W/1m)	94.0
RMS Power Handling (w)	80
Usable Frequency Range (Hz)	2000 - 26000



Note: All dimensions in mm.

**Frequency Response**



Note: Due to testing limitations, response below 200 Hz is not an actual representation.

**Impedance/Phase**

