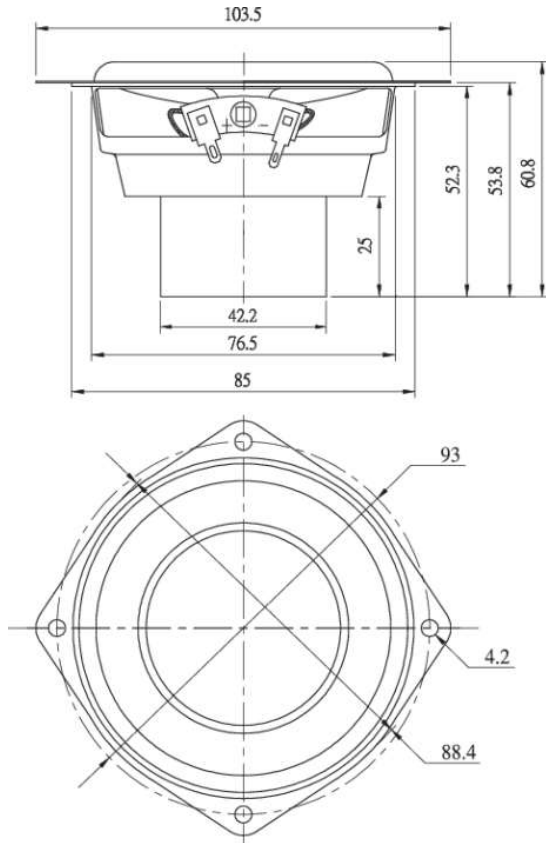




ND91-8 3-1/2" Aluminum Cone Full-Range Driver 8 Ohm

ND91-8



PARAMETERS	
Impedance	8 ohms
Re	7.8 ohms
Le	1.24 mH @ 1 kHz
Fs	70.7 Hz
Qms	4.29
Qes	0.53
Qts	0.47
Mms	4.8g
Cms	1.05 mm/N
Sd	30.4 cm ²
Vd	12.2 cm ³
BL	5.63 Tm
Vas	1.53 liters
Xmax	5.1 mm
VC Diameter	25 mm
SPL	82.1 dB @ 2.83V/1m
RMS Power Handling	30 watts
Usable Frequency Range (Hz)	70 - 17,000 Hz

- FEATURES**
- Low distortion, full-range 65 Hz to 17 kHz performance
 - Rubber-edged black anodized aluminum alloy cone
 - Large excursion capability—4.6 mm Xmax, 25 mm peak
 - Self-shielded Neo-Balanced motor structure with copper alloy shorting ring
 - 1" 4-layer underhung voice coil with polyimide former

