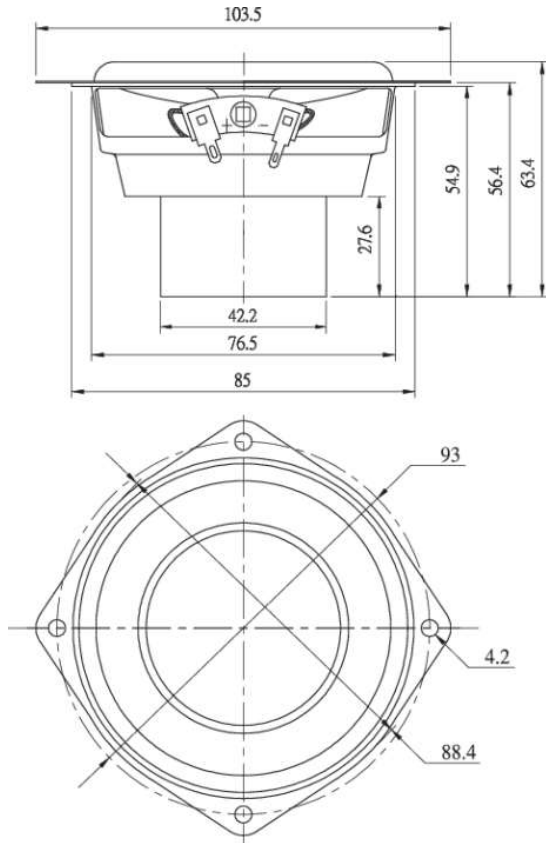




# ND91-4 3-1/2" Aluminum Cone Full-Range Driver 4 Ohm

ND91-4



PARAMETERS	
Impedance	4 ohms
Re	4.3 ohms
Le	0.83 mH @ 1 kHz
Fs	74 Hz
Qms	4.24
Qes	0.45
Qts	0.41
Mms	4.8g
Cms	0.96 mm/N
Sd	30.4 cm <sup>2</sup>
Vd	12.2 cm <sup>3</sup>
BL	4.59 Tm
Vas	1.4 liters
Xmax	4.6mm
VC Diameter	25 mm
SPL	85.6 dB @ 2.83V/1m
RMS Power Handling	30 watts
Usable Frequency Range (Hz)	65 - 17,000 Hz

- FEATURES**
- Low distortion, full-range 65 Hz to 17 kHz performance
  - Rubber-edged black anodized aluminum alloy cone
  - Large excursion capability – 4.6 mm Xmax, 25 mm peak
  - Self-shielded Neo-Balanced motor structure with copper alloy shorting ring
  - 1" 4-layer underhung voice coil with polyimide former

