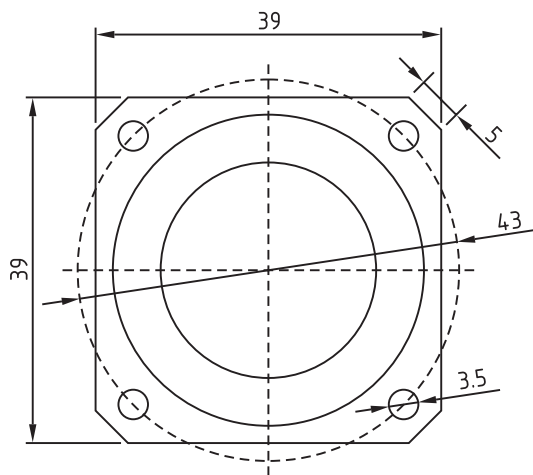
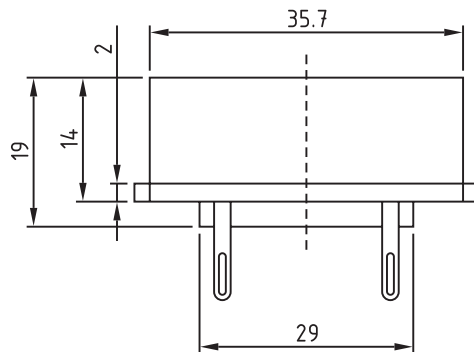


Features

- 3/4" textile soft dome
- Compact faceplate
- Unique rear-mount design
- Neodymium motor
- Ferrofluid cooled voice coil
- Clear and extended highs
- Great for line arrays

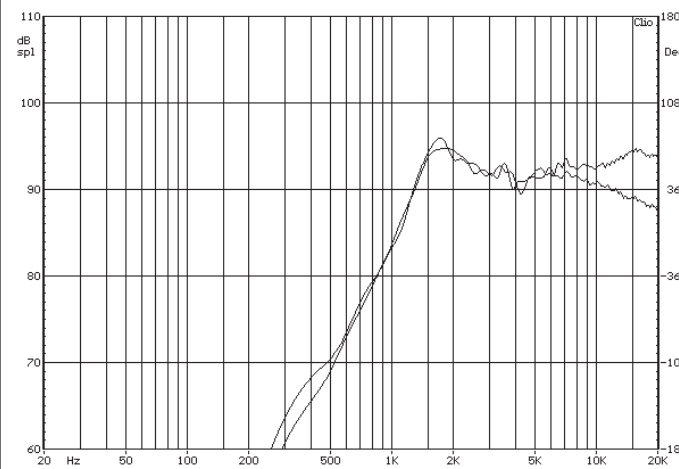
Parameters

Impedance (Ω)	4
Re (Ω)	3.2
Le (mH) @ 10 kHz	0.03
Fs (Hz)	2072.0
Qms	2.08
Qes	3.74
Qts	1.33
Mms (g)	
Cms (mm/N)	
Sd (cm ²)	2.8
Vd (liters)	
BL (Tm)	
VAS (liters)	
XMAX (mm)	
VC Diameter (mm)	19
SPL (dB@1W/1m)	90.0
RMS Power Handling (w)	15
Usable Frequency Range (Hz)	3500 - 25000



Note: All dimensions in mm.

Frequency Response



Note: Due to testing limitations, response below 200 Hz is not an actual representation.

Impedance/Phase

