

DA175-8

7" Aluminum Cone Woofer



DA175-8

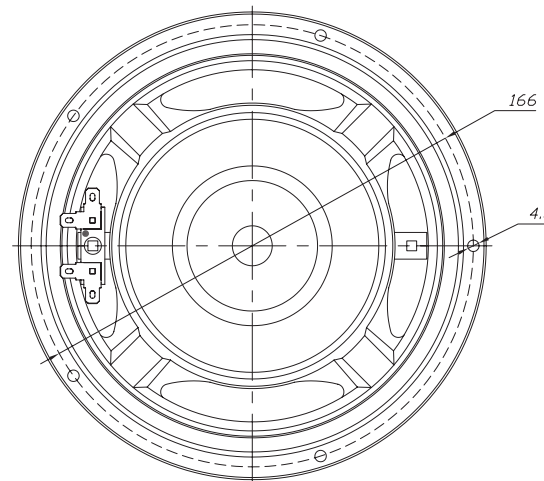
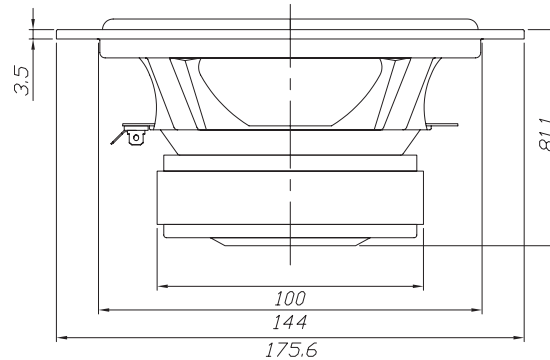
7" Aluminum Cone Woofer

Features

- 7" one-piece aluminum cone
- Rubber surround
- Attractive steel frame
- Extended back plate
- Vented pole piece
- Broad frequency range

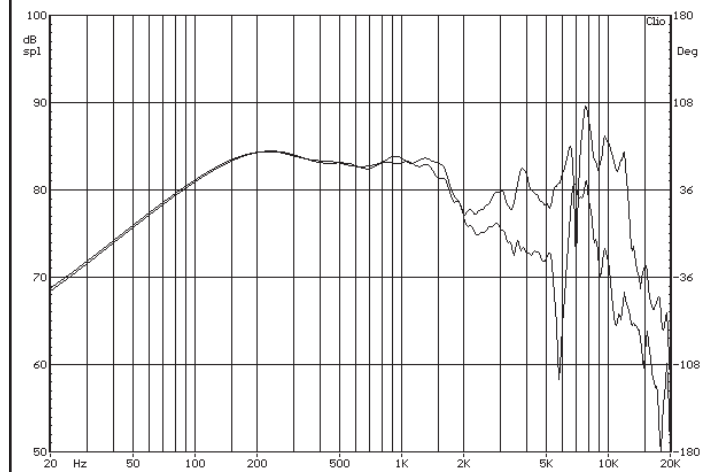
Parameters

| | |
|-----------------------------|------------|
| Impedance (Ω) | 8 |
| Re (Ω) | 5.9 |
| Le (mH) @ 1 kHz | 1.14 |
| Fs (Hz) | 39.0 |
| Qms | 3.31 |
| Qes | 0.70 |
| Qts | 0.58 |
| Mms (g) | 25.17 |
| Cms (mm/N) | 0.66 |
| Sd (cm ²) | 132.7 |
| Vd (liters) | 56.4 |
| BL (Tm) | 7.17 |
| VAS (liters) | 16.3 |
| XMAX (mm) | 4.25 |
| VC Diameter (mm) | 35 |
| SPL (dB@1W/1m) | 85.0 |
| RMS Power Handling (w) | 50 |
| Usable Frequency Range (Hz) | 35 - 10000 |



Note: All dimensions in mm.

Frequency Response



Note: Due to testing limitations, response below 200 Hz is not an actual representation.

Impedance/Phase

