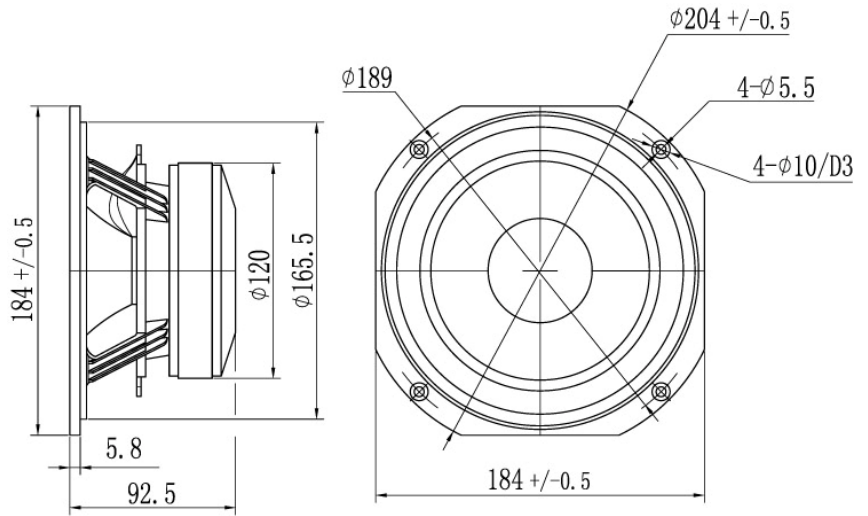
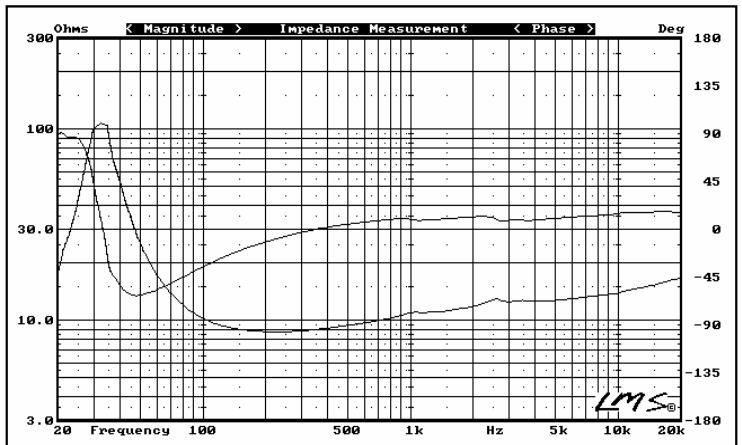
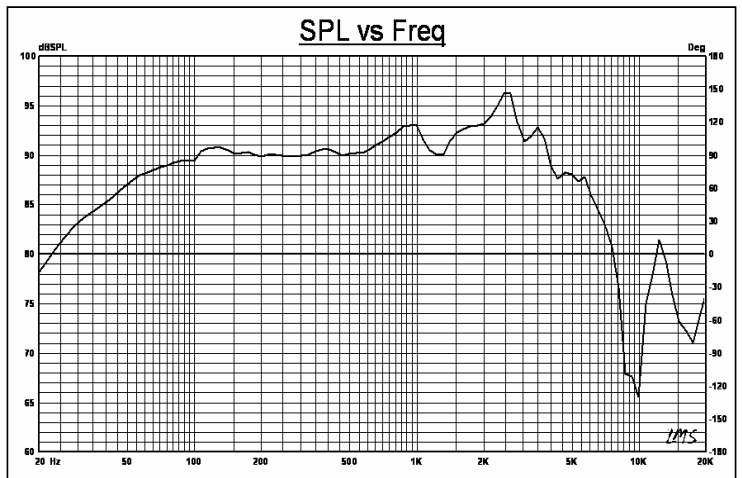


# AC180/50F1 Woofer



- Feature:**
- Composite cone of carbon fiber and polypropylene.
  - Al-alloy frame.
  - 50mm / 2" flat CCAW voice coil, Kapton voice coil bobbin.
  - The special magnet system of Faraday ring and demodulation coil.

Nominal power	P	150	W
Sensitivity 1W/1m	SPL	90	dB
Nominal impedance	Z	8	$\Omega$
Frequency range	-	33~5000	Hz
Resonance frequency	F0	33	Hz
DC resistance	Re	7.0	$\Omega$
Mechanical quality factor	Qms	3.82	-
Electrical quality factor	Qes	0.27	-
Total quality factor	Qts	0.25	-
Equivalent volume of air	Vas	52	L
Moving mass	Mms	18.6	g
Effective piston area	S	168	cm <sup>2</sup>
Mechanical suspension compliance	Cms	1.29	mm/N
BL product	BL	9.9	N/A
Flux density	B	0.93	T
Voice coil diameter	$\Phi$	50	mm
Voice coil height	H	15	mm
Voice coil inductance	Lbm	0.67	mH
Linear excursion	Xmax	$\pm 6$	mm
Magnet diameter	$\Phi$	120	mm
Magnet height	H	20	mm
Frame	-	Aluminum	-
Net weight	M	2.51	kg
Outer dimensions	-	184×184/φ204	mm
Cutout dimensions	$\Phi$	169	mm
Flange thickness	T	5.8	mm
Overall depth	D	92.5	mm



JINLANG AUDIO CO.,LTD.

NO.1 XIANQIAO ST., BEIGUAN RD., PENGLAI, CHINA

E-MAIL: aurumcantus@aurumcantus.com TEL: ++86-535-5643369 FAX: ++86-535-5610809