



ST 1308

Supreme Tweeter,
 Ø 130mm, 8Ω
 offset dome

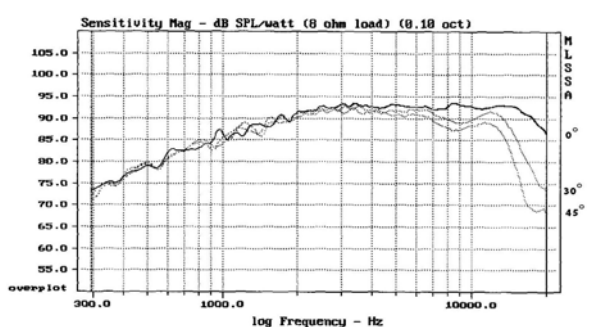
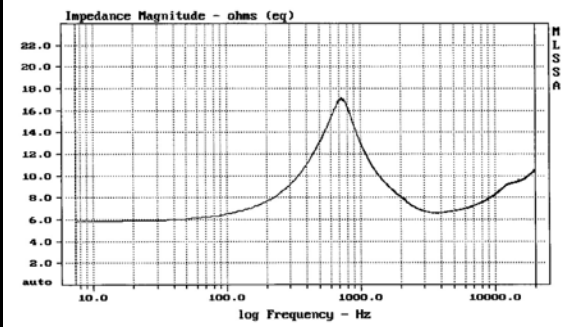
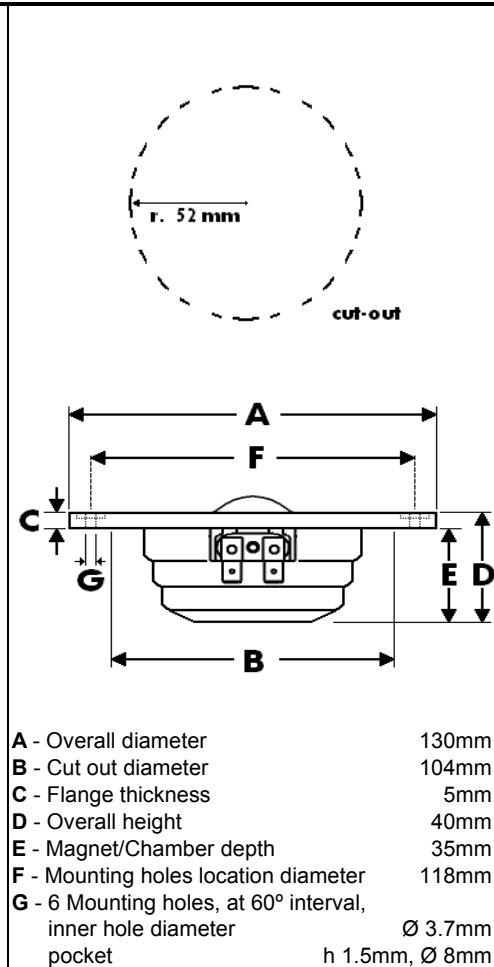


Features:

- * Underhung voice coil
- * Large Hexatech™ aluminum voice coil
- * 130 mm offset dome aluminum face plate
- * Replaceable Acuflex™ dome / coil assembly
- * Neodymium flat pancake design magnet
- * High power handling

SPECIFICATIONS

General Data		
Overall Dimensions	DxH	130 mm (5.12") x 40mm (1.57")
Nominal Power Handling (DIN)	P	220W/12dB
Transient Power 10ms		1000W
Sensitivity 2.83V/1M		91.5dB SPL
Frequency Response		See graph
Dome Material		Acuflex™ hand coated soft dome
Net Weight	Kg	0.52
Electrical Data		
Nominal Impedance	Z	8Ω
DC Resistance	Re	5.2Ω
Voice Coil Inductance @ 1KHz	LBM	0.09mH
Voice Coil and Magnet Parameters		
Voice Coil Diameter	DIA	28mm
Voice Coil Height		2.7mm
HE Magnetic Gap Height	HE	4.2mm
Max. Linear Excursion	X	
Voice Coil Former		Aluminum
Voice Coil Wire		Hexatech™ Aluminum
Number Of Layers		2
Magnet System Type		Neodymium Flat Pancake
B Flux Density	B	1.8 T
BL Product	BXL	
T-S Parameters		
Suspension Compliance	Cms	
Mechanical Q Factor	Qms	
Electrical Q Factor	Qes	
Total Q Factor	Qts	
Mechanical Resistance	Rms	
Moving Mass	Mms	0.44 g
Eq. Cas Air Load (liters)	VAS	
Resonant Frequency	Fs	680 Hz ±10%
Effective Piston Area	SD	6.0 cm ²



Measured on IEC baffle using Bruel & Kjaer 3144 model microphone.

Morel operate policy of continuous product design improvement, consequently specifications are subject to alteration without prior notice.