

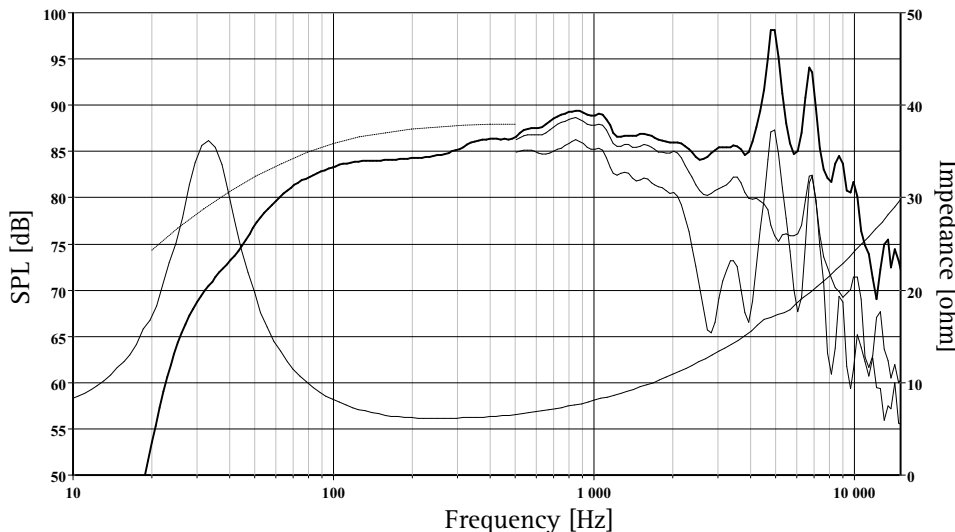
L18RCY/P is a 6,5" High Fidelity woofer with an injection moulded metal chassis, intended for bass reflex and transmission line designs.

Stiff, yet light aluminum cone and low loss rubber surround show no sign of the familiar 500-1500 Hz cone edge resonance and distortion associated with soft cones.

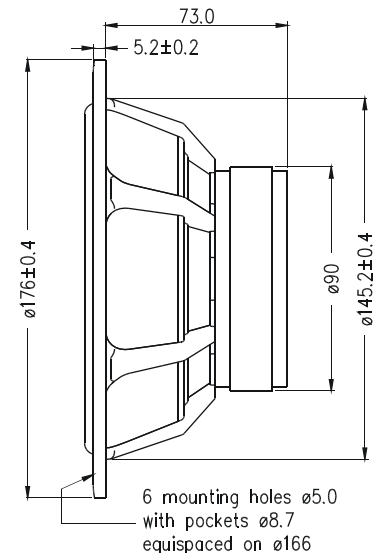
High temperature voice coil wound on an aluminum voice coil former gives a high power handling capacity.

Phase plug reduces compression due to temperature variations in the voice coil, eliminates resonances that would occur in the volume between the dust cap and the pole piece and increases the power handling capacity.

Large magnet system provides high efficiency and low Q.



The frequency responses above show measured free field sound pressure in 0, 30, and 60 degrees angle using a 12L closed box. Input 2.83 V_{RMS}, microphone distance 0.5m, normalized to SPL 1m. The dotted line is a calculated response in infinite baffle based on the parameters given for this specific driver. The impedance is measured in free air without baffle using a 2V sine signal.



Nominal Impedance	8 Ohms	Voice Coil Resistance	5.6 Ohms
Recommended Frequency Range	35 - 2500 Hz	Voice Coil Inductance	0.92 mH
Short Term Power Handling *	250 W	Force Factor	6.5 N/A
Long Term Power Handling *	80 W	Free Air Resonance	33 Hz
Characteristic Sensitivity (2,83V, 1m)	88 dB	Moving Mass	12.7 g
Voice Coil Diameter	26 mm	Air Load Mass In IEC Baffle	0.81 g
Voice Coil Height	14 mm	Suspension Compliance	1.8 mm/N
Air Gap Height	6 mm	Suspension Mechanical Resistance	1.39 Ns/m
Linear Coil Travel (p-p)	8 mm	Effective Piston Area	125 cm ²
Maximum Coil Travel (p-p)	16 mm	VAS	38 Litres
Magnetic Gap Flux Density	1.25 T	QMS	2.01
Magnet Weight	0.42 kg	QES	0.37
Total Weight	1.42 kg	QTS	0.31