



# ET 338-104

Elite Tweeter,  
Ø 104mm, 8Ω



### Features:

- \* 104mm IDR™ Improved Dispersion Recess aluminum face plate
- \* Large Hexatech™ aluminum voice coil
- \* Replaceable Acuflex™ dome / coil assembly
- \* Triple magnet system
- \* High power handling
- \* Sturdy gold plated input tags

## SPECIFICATIONS

### General Data

Overall Dimensions	DxH	104mm(4.09")x66mm(2.59")
Nominal Power Handling (DIN)	P	200W
Transient Power 10ms		1000W
Sensitivity 2.83V/1M		92.5dB SPL
Frequency Response		See graph
Dome Material		Acuflex™ hand coated soft dome
Net Weight	Kg	1.08

### Electrical Data

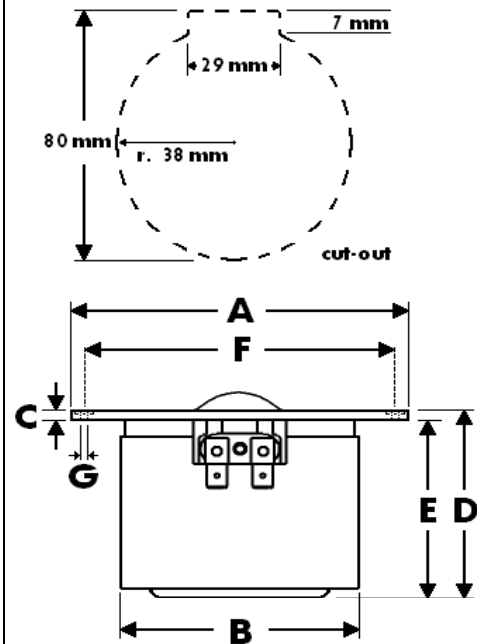
Nominal Impedance	Z	8Ω
DC Resistance	Re	5.2Ω
Voice Coil Inductance @ 1KHz	LBM	0.09mH

### Voice Coil and Magnet Parameters

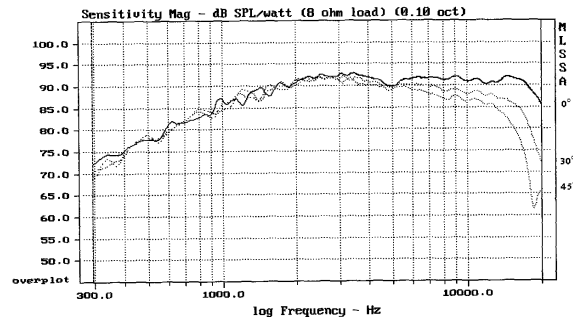
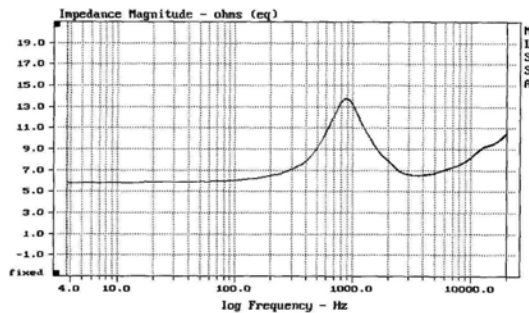
Voice Coil Diameter	DIA	28mm
Voice Coil Height		2.7mm
HE Magnetic Gap Height	HE	2.5mm
Max. Linear Excursion	X	
Voice Coil Former		Aluminum
Voice Coil Wire		Hexatech™ Aluminum
Number Of Layers		2
Magnet System Type		Triple Ferrite
B Flux Density	B	1.95 T
BL Product	BXL	6.3 N.A

### T-S Parameters

Suspension Compliance	Cms	
Mechanical Q Factor	Qms	
Electrical Q Factor	Qes	
Total Q Factor	Qts	
Mechanical Resistance	Rms	
Moving Mass	Mms	0.44 g
Eq. Cas Air Load (liters)	VAS	
Resonant Frequency	Fs	700 Hz 10%
Effective Piston Area	SD	6.0 cm <sup>2</sup>



A - Overall diameter	104mm
B - Magnet/Chamber diameter	76mm
C - Flange thickness	3mm
D - Overall height	66mm
E - Magnet/Chamber depth	63mm
F - Mounting holes location diameter	94mm
G - 6 Mounting holes, at 60° interval, inner hole diameter	Ø 3.7mm
pocket	h 1mm, Ø 7mm



Measured on IEC baffle using Bruel & Kjaer 3144 model microphone. Also available in silver faceplate finish.

Morel operate policy of continuous product design improvement, consequently specifications are subject to alteration without prior notice.