

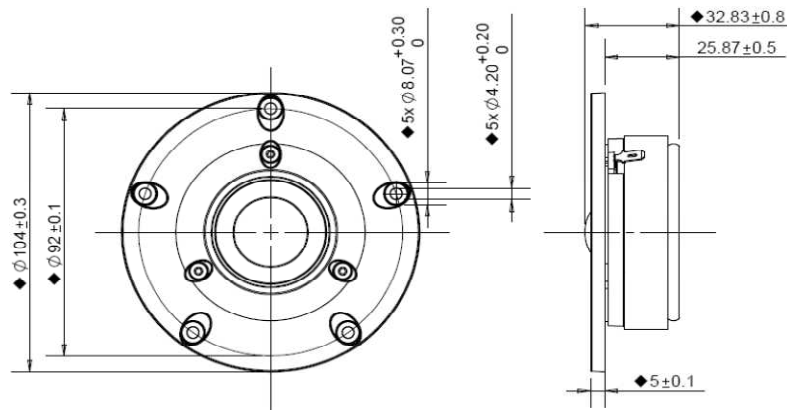


Product Description:

This DX family tweeter features a 25 mm diameter 4 ohm ferrofluid-cooled voice coil, a damped silk diaphragm with large surround roll to produce a low resonant frequency, and a ferrite magnet motor which adds heat sinking for power handling capacity. The faceplate features recessed mounting holes to minimize reflections.



Mechanical 2D Drawing:



Specifications:

DC Resistance	R_{evc}	Ω	3.0	$\pm 7.5\%$	Energy Bandwidth Product	EBP	$(1/Q_{\text{es}}) \cdot f_s$	919
Minimum Impedance	Z_{min}	Ω	3.5	$\pm 7.5\%$	Moving Mass	M_{ms}	g	0.36
Voice Coil Inductance	L_e	mH	0.03		Suspension Compliance	C_{ms}	um/N	205.0
Resonant Frequency	f_s	Hz	651	$\pm 20\%$	Effective Cone Diameter	D	cm	3.2
Mechanical Q Factor	Q_{ms}	-	1.8		Effective Piston Area	S_D	cm ²	8.2
Electrical Q Factor	Q_{es}	-	0.71		Equivalent Volume	V_{as}	L	0.019
Total Q Factor	Q_{ts}	-	0.51		Motor Force Factor	BL	T-m	2.26
Ratio f_s / Q_{es}	F	f_s / Q_{es}	1284		Motor Efficiency Factor	β	$(T \cdot m^2) / \Omega$	1.72
Half Space Sensitivity @ 2.83V	dB@2.83V/1m	dB	94.3	$\pm 1.0^1$	Voice Coil Former Material	VC _m	-	ASV
Sensitivity @ 1W/1m	1W/1m	dB	90.0	$\pm 1.0^1$	Voice Coil Inner Diameter	VC _d	mm	25.76
					Gap Height	Gh	mm	2.00
Rated Noise Power (IEC 2685 18.1)	P	W	100		Maximum Linear Excursion	X_{max}	mm	0.10
Test Spectrum Bandwidth	800Hz-25KHz		12 dB/Oct		Ferrofluid Type	FF	-	APGS11N
					Transducer Size	-	-	1 inch
					Transducer Mass	-	Kg	0.50

1 - Piston Band Sensitivity Tolerance

Frequency and Impedance Response:

