

CHR-70 (Gen. 3)

Extended Full-Range emitter
Champagne colour cone model



CHR-70 Gen. 3 Extended Full Range audio driver.

The CHR-70 (Gen. 3) is now up-dated 3 times since the first model was launched nearly 3 years back. This Gen. 3 driver has more high range performance. The frequency range now goes higher to 25-kHz. In lower power applications and using the properly designed box, this CHR is capable of operating into the low 40's Hertz. It has a light easy sound that will suit the listening tastes of many people. This CHR's cone delivers a good level of musical detail.

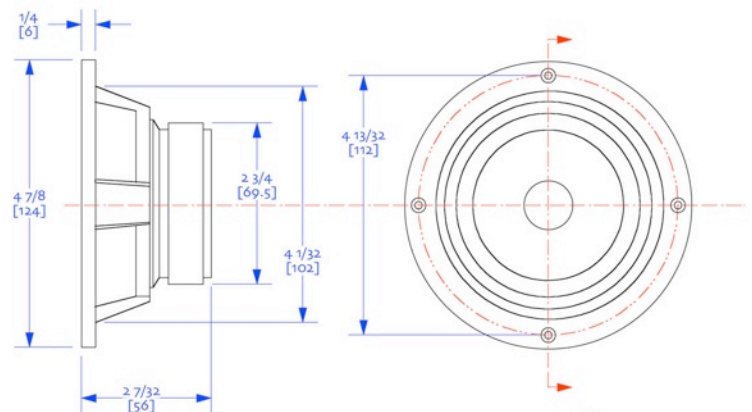
The driver has a medium efficiency of 85.5dB at 8 Ohms making it easy to use on nearly all small to medium power amplifiers. The driver can easily fit into Bass-Reflex and Vented box sizes from 4.4 litres to 10 litres internal volume.

Many technical improvements has been done.

- 1 - Improved stiffer frame.
- 2 - New cap design with new improved fitting method.
- 3 - New Japanese deigned coil.
- 4 - New spider for improved bass.
- 5 - 2 colour choice (champagne gold and brush look metal cones)

The new CHR-70 Gen. 3 is an excellent high-end and multi-purpose driver. Its also suitable for many computer, Home Theatre, TV, and commercial A/V applications.

CHR-70 Gen.3	Data
REVC	7.2 Ohm
Fo	65.40 Hz
Sd	5.02 K mm ²
Vas	5.17 Ltrs
Cms	1.44 uM/N
Mmd	3.90 g
Mms	4.10 g
BL	4.20 T*M
Qms	2.66
Qes	0.69
Qts	0.55
Levc	32.44 uH
No	0.20%
Spl	85.4 dB
Pwr	20w Nom.
X max	4.3-mm 1 way
Coil Dia	20-mm
Main tolerance	+/- 2.5 hz on mean Fo



Note that these come with a 2mm gasket, which doesn't compress very much, so it needs to be accounted for when cutting the rebates.

Small to medium sized speakers are usually lower power designs. The power rating is given in the technical data for each audio driver. For a reliable long service life, please operate your new speakers with care. For the first 100 hours, operate them at very low volumes. After this period, gradually increase the volume to a normal listening level. If you see the cone of the speakers making large movements, immediately turn the volume down. This will protect the speaker and your human hearing from damage. Factory mechanical defects for a period of 1 year. Excessive hard use (over-driving) and other damage caused during customer use is excluded from our warranty.

